

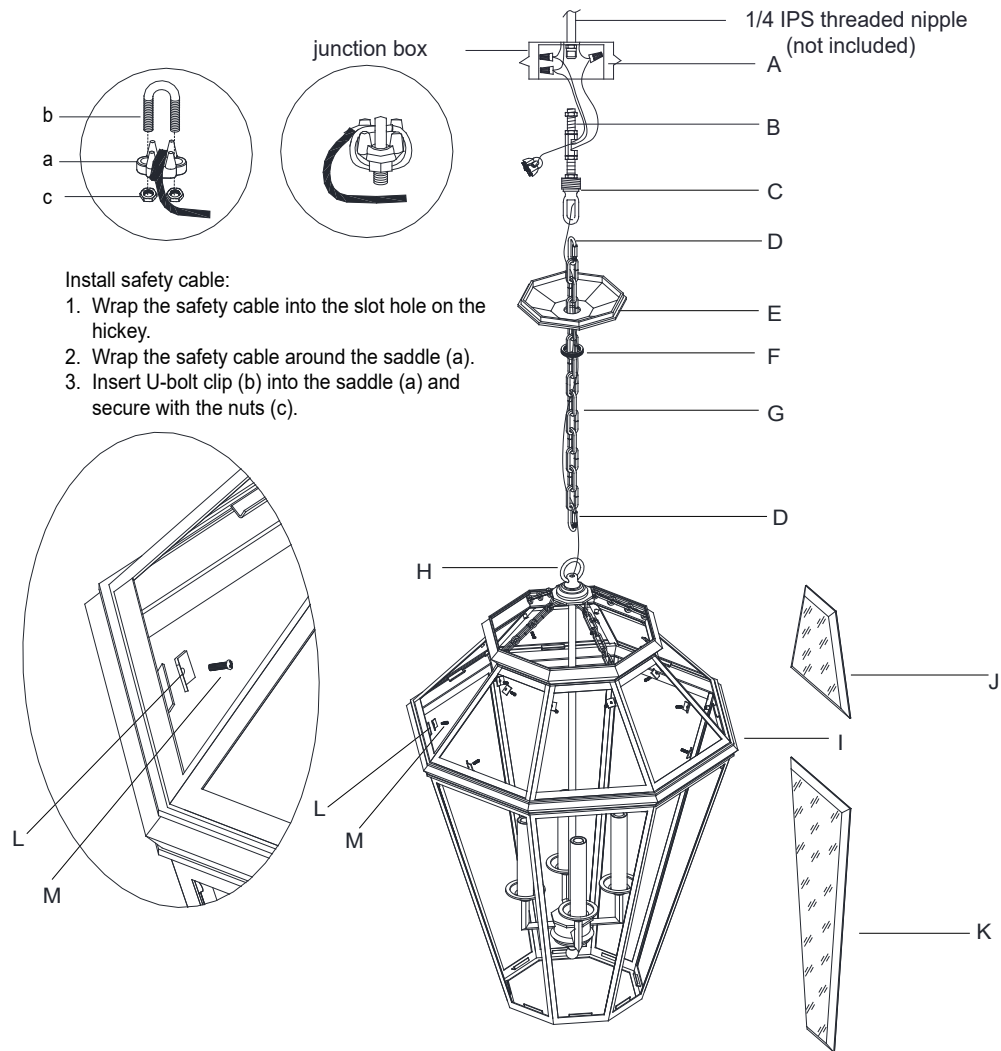
ASSEMBLY INSTRUCTIONS

Edmund Medium Lantern

Item # RL 5642

NOTICE:

This light fixture should be installed in accordance with all applicable, local installation codes, and by a person familiar with the construction and operation of it, as well as the hazards involved. Inspect item and contents carefully. If any damage or defect is found, do not install. Retain all packaging material until installation is complete and approved.

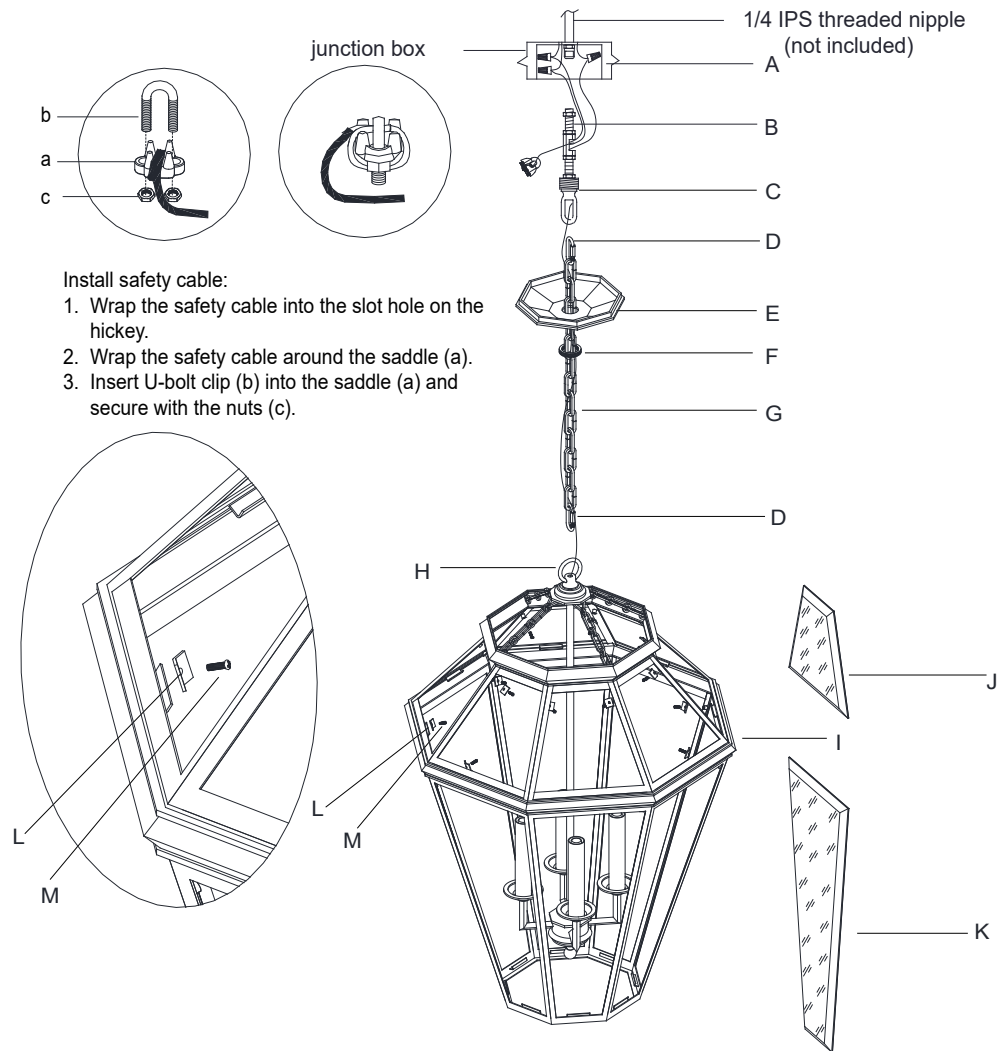


1. Carefully remove all parts from the carton.
2. Remove the collar loop (C) from the chain (G) by unscrewing the quick link (D).
3. A 1/4 IPS pipe must be installed through the junction box and secured to a structural member of the building. This item must hang independently of the junction box. Then install the threaded nipple (B) into the 1/4 IPS PIPE.
4. Install the canopy (E) to collar loop (C) and secure with collar ring (F). If needed, adjust collar loop (C) height by loosening hex nuts and screwing collar loop (C) up or down then re-secure.
5. Insert bulbs (not included) into sockets.
6. Remove the metal tabs (L) by unscrewing the screws (M), install the glass panels (K) to lantern (I) and secure with the metal tabs (L) and screws (M). DO NOT OVER-TIGHTEN , OTHERWISE GLASS COULD BECOME DAMAGED.
7. Repeat above step. Install the glass panels (J) to the lantern (I).
8. With the fixture dimension as a guide, shorten the chain (G) as needed using the chain pliers (not included).
9. Open one chain quick link (D), then attach the chain quick link (D) to the collar loop (C). Secure the chain quick link (D).
10. Open the chain quick link (D) from the opposite side then attach to the hanging loop (H). Secure the chain quick link (D).
11. Weave the fixture wires through the chain (G).

RALPH LAUREN



ASSEMBLY INSTRUCTIONS



Install safety cable:

1. Wrap the safety cable into the slot hole on the hickey.
2. Wrap the safety cable around the saddle (a).
3. Insert U-bolt clip (b) into the saddle (a) and secure with the nuts (c).

Edmund Medium Lantern

Item # RL 5642

NOTICE:

This light fixture should be installed in accordance with all applicable, local installation codes, and by a person familiar with the construction and operation of it, as well as the hazards involved. Inspect item and contents carefully. If any damage or defect is found, do not install. Retain all packaging material until installation is complete and approved.

12. When you reach the canopy (E) and collar loop (C), measure the wires then cut, be certain to leave enough length to connect the wires in the junction box.
13. Strip the insulation on the fixture wires about 5/8".
14. Loosen the collar ring (F) and let the canopy (E) slip down the chain (G) carefully.
15. Connect the safety cables as shown in diagram.
16. Twist the fixture wires together and push through the center hole of the collar loop (C).
17. Connect the fixture ground wire to the ground wire in the junction box using the wire nut (A).
IT IS IMPERATIVE THAT THIS FIXTURE BE GROUNDED.
18. Connect the fixture ribbed wire (no markings) to the neutral wire in the junction box using the wire nut (A).
19. Connect the fixture smooth wire (with markings) to the hot wire in the junction box using the wire nut (A).
DO NOT REVERSE THE HOT AND NEUTRAL CONNECTIONS OTHERWISE SAFETY WILL BE COMPROMISED.
20. Carefully tuck the wire connections into the junction box.
21. Install the canopy (E) to the junction box and secure with collar ring (F).
22. Installation is complete, turn on power at fuse or circuit breaker.

Care Instructions: Clean only with a soft dry cloth or feather duster. Do not use abrasive or chemical agents.

RALPH LAUREN

