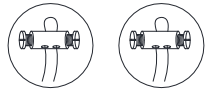
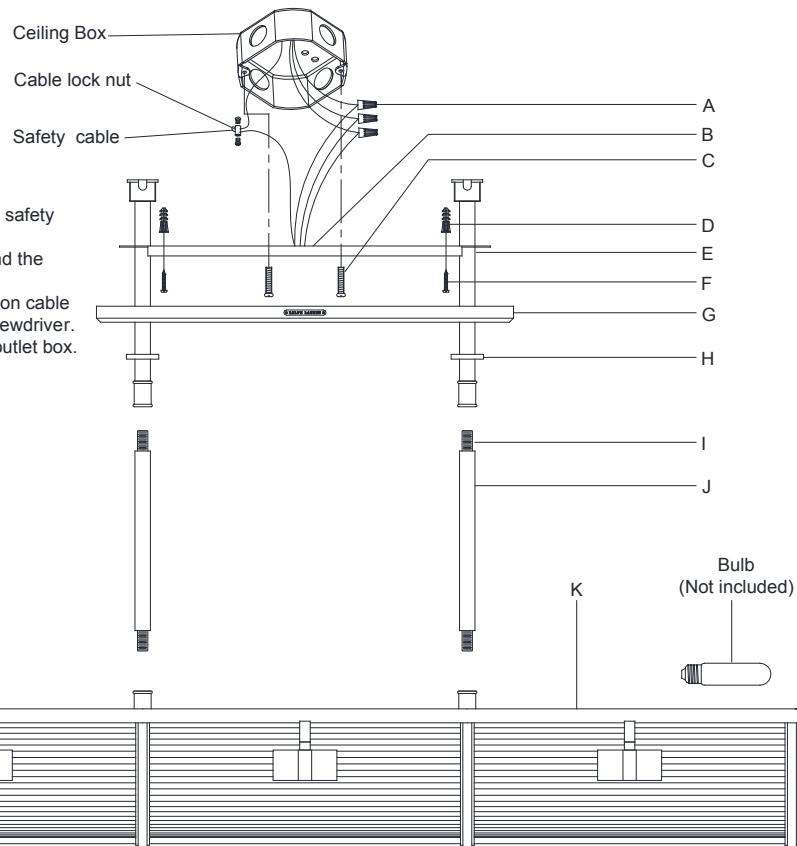


## ASSEMBLY INSTRUCTIONS



TO assemble safety cables:

1. Join fixture safety cables with safety cable from ceiling.
2. Wrap both safety cable around the cable lock nut.
3. Insert screws into both holes on cable lock nut, secure screws with screwdriver.
4. Push the cable lock nut into outlet box.



## Allen Medium Linear Pendant

Item # RL 5089

### NOTICE:

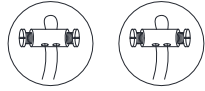
This light fixture should be installed in accordance with all applicable, local installation codes, and by a person familiar with the construction and operation of it, as well as the hazards involved. Inspect item and contents carefully. If any damage or defect is found, do not install. Retain all packaging material until installation is complete and approved.

1. Carefully remove all parts from the box.
2. Let the tube (J) pass through the threaded nipple (I), then thread the threaded nipple (I) to the top of the fixture body (K).
3. Drill 4 holes on the ceiling and make sure the hole distance will match to the holes on the mounting plate (B).
4. Knock the anchors (D) into the ceiling holes.
5. Let the lock collar (H), canopy (G) and mounting plate (B) pass through the tube (J).
6. Thread the tube (E) to the tube (J).
7. With help, raise the fixture body, attach the mounting plate (B) to the outlet box and secure with mounting screws (C), then secure screws (F) to the anchors (D).
8. Measure the wires and cut. Be certain to leave enough to connect inside of the canopy.
9. Connect the fixture ground (bare) wire with the ground wire from the outlet box using wire nut (A). If your house does not have ground wire, then attach this wire to the green grounding screw inside of the outlet box.  
IT IS IMPERATIVE THAT THIS FIXTURE BE GROUNDED.
10. Connect the fixture Neutral wire (ribbed, no markings) with the neutral wire from the outlet box using wire nut (A).

# RALPH LAUREN

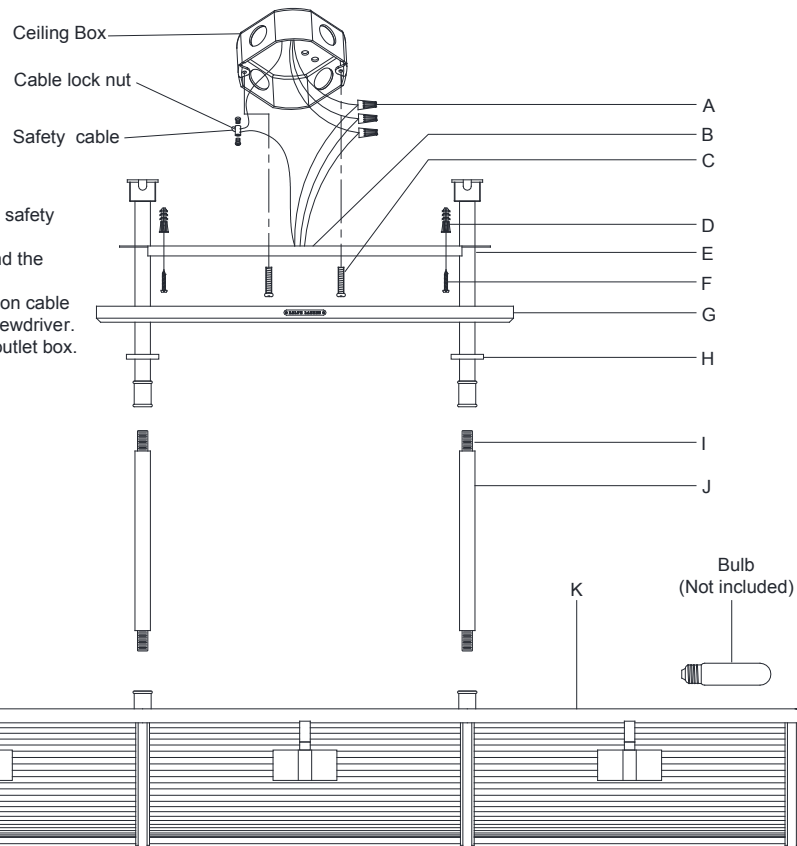


## ASSEMBLY INSTRUCTIONS



TO assemble safety cables:

1. Join fixture safety cables with safety cable from ceiling.
2. Wrap both safety cable around the cable lock nut.
3. Insert screws into both holes on cable lock nut, secure screws with screwdriver.
4. Push the cable lock nut into outlet box.



## Allen Medium Linear Pendant

Item # RL 5089

### NOTICE:

This light fixture should be installed in accordance with all applicable, local installation codes, and by a person familiar with the construction and operation of it, as well as the hazards involved. Inspect item and contents carefully. If any damage or defect is found, do not install. Retain all packaging material until installation is complete and approved.

11. Connect the fixture Hot (smooth edge, markings) wire with the hot wire from the outlet box using wire nut (A).  
**DO NOT REVERSE THE HOT AND NEUTRAL CONNECTIONS OR SAFETY WILL BE COMPROMISED**
12. Tuck these wire connections neatly into the outlet box to secure.
13. Attach canopy (G) to the mounting plate (B) and secure with lock collar (H).
14. Insert bulbs (not included) into the sockets.
15. Installation is complete, turn on power at fuse or circuit breaker.

Care Instructions: Clean only with a soft dry cloth or feather duster. Do not use abrasive or chemical agents.

# RALPH LAUREN

