

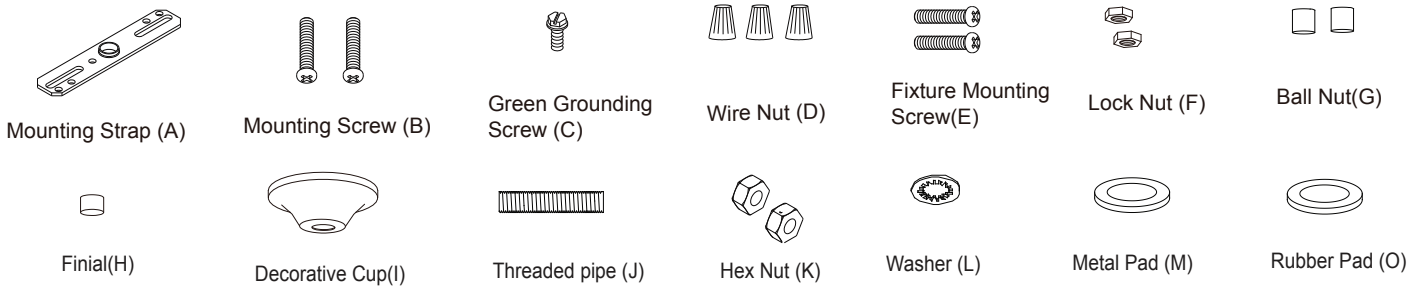
ASSEMBLY AND INSTALLATION INSTRUCTIONS

C0077

WARNING: TO AVOID RISK OF ELECTRICAL SHOCK, BE SURE TO SHUT OFF POWER WHILE INSTALLING OR SERVICING THIS FIXTURE.

NOTES: 1. Before installing, consult local electrical codes for wiring and grounding requirements.
2. READ AND SAVE THESE INSTRUCTIONS.

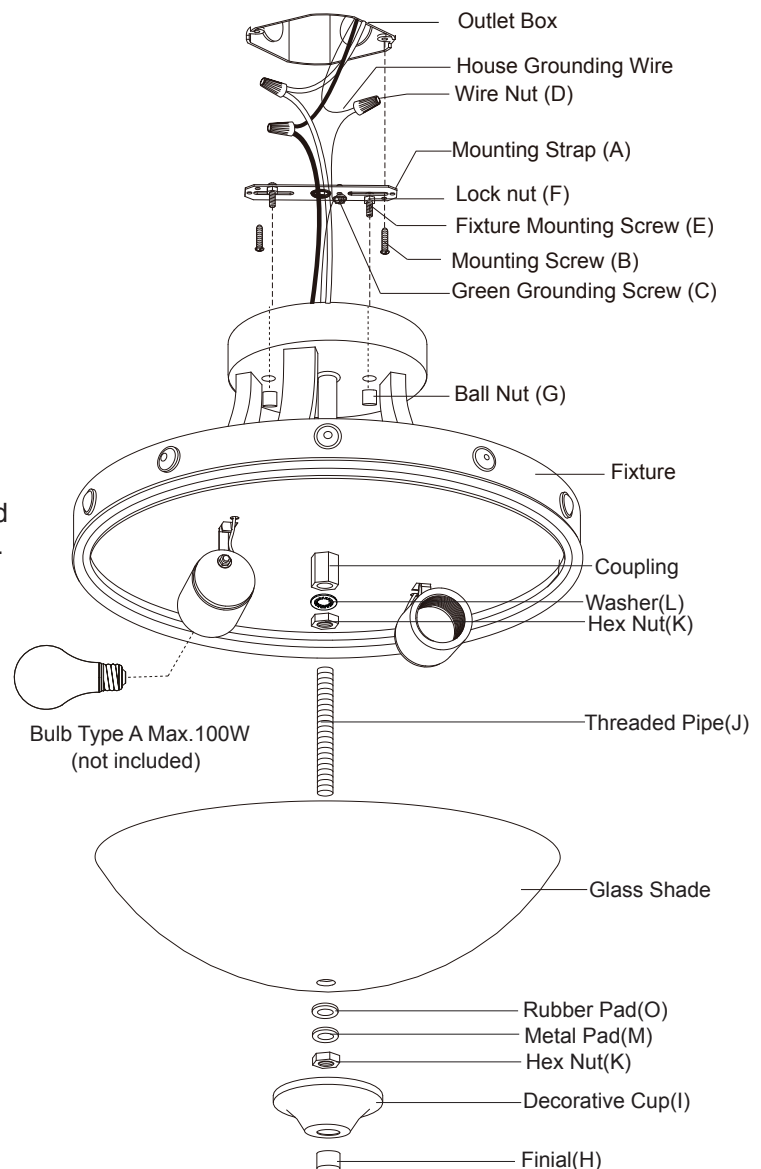
Hardware Package (included):



Installation Steps

Turn off the power at fuse or circuit box.

- Attach the mounting strap to the outlet box by using two mounting screws.
- Screw the threaded pipe into the coupling, then secure it with a washer and hex nut.
NOTE: Depth of threaded pipe may need to be adjusted to properly fit glass shade, decorative cup and finial.
- Install bulbs (not included). See relamping label at socket area or packaging for maximum allowed wattage.
- Attach the glass shade to the fixture by inserting the threaded pipe, then secure it with a rubber pad, metal pad and hex nut.
- Slip the decorative cup up through the threaded pipe, secure it with the finial.
- Pull out the source wires from the outlet box, make wire connections using wire nuts as follows:
 - Connect the hot wire (usually black insulation) from the fixture to the black wire from the power source.
 - Connect the neutral wire (usually white insulation) from the fixture to the white wire from the power source.
 - Attach the fixture grounding wire (usually green insulation or bare wire) to the mounting strap with the green grounding screw. Then connect it to the house grounding wire with the wire nut.
 Carefully put the wires back into the outlet box.
- Attach the fixture to the mounting strap by inserting two fixture mounting screws, then secure it with two ball nuts.



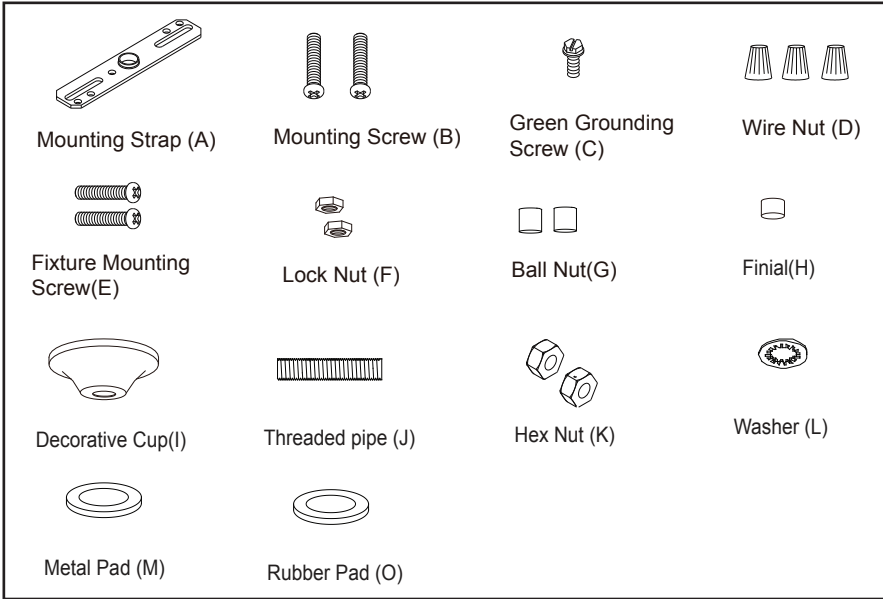
Turn on the power at fuse or circuit box.

VAXCEL

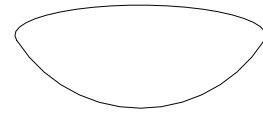
141204

The following parts are available for re-order if damaged or missing.

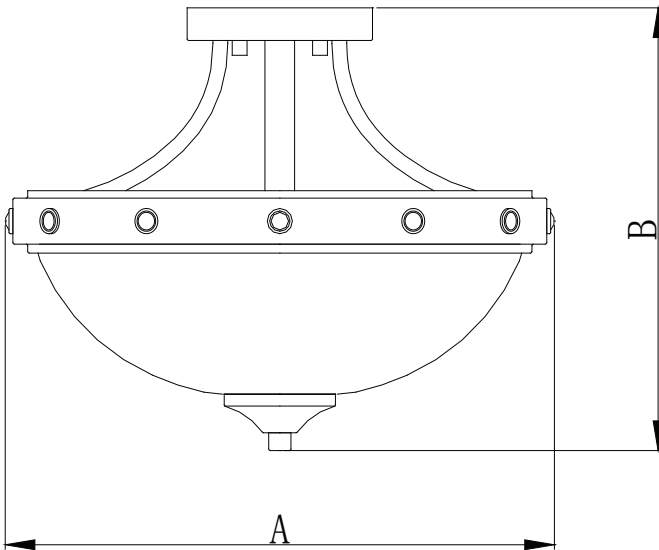
Spare Parts List:



Assembly Kit
5213MM(1 SET)



Glass Shade
9673CC (1 PC)



A: 14-1/2"

B: 12"