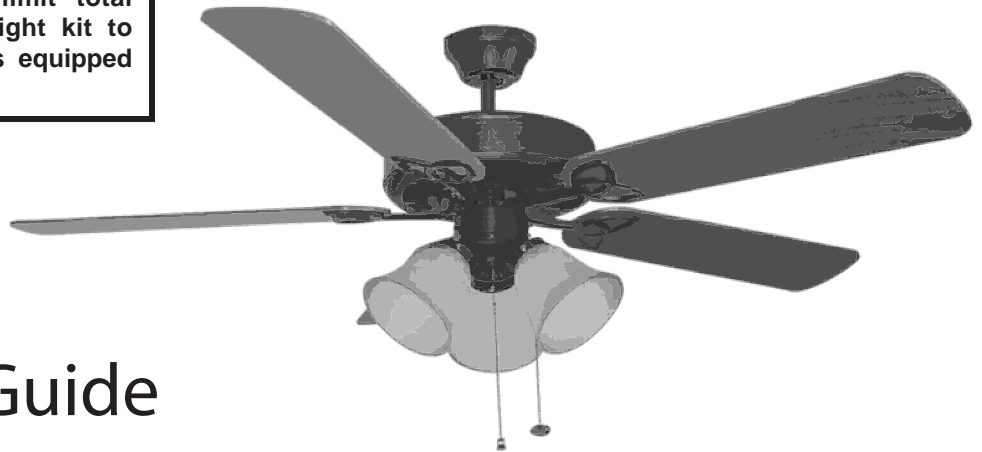


ELLINGTON®

Elevating Style®

READ THESE INSTRUCTIONS
AND SAVE THEM FOR FUTURE USE

Federal regulations require ceiling fans with light kits manufactured or imported after January 1, 2009, to limit total wattage consumed by the light kit to 190W. Therefore, this fan is equipped with a wattage limiting device.



Installation Guide

For Models:

E-BLD52ABZ5C3

E-BLD52AN5C3

E-BLD52MWW5C3

Table of Contents:

Safety Tips. pg. 1

Unpacking Your Fan. pg. 2

Parts Inventory. pg. 2

Installation Preparation. pg. 3

Hanging Bracket Installation. pg. 3

Fan Assembly. pgs. 4 - 5

Wiring. pg. 6

Canopy Assembly. pg. 6

Blade Attachment. pg. 7

Removal of Light Kit (Optional). pg. 7

Light Kit Assembly (Optional). pg. 8

Testing Your Fan. pg. 8

Troubleshooting. pg. 9

Warranty. pg. 9

Parts Replacement. pg. 9



LISTED
E192641

net weight of fan: 21.03 lb. (9.54 kg)

PRINTED IN CHINA

SAFETY TIPS.

WARNING: To reduce the risk of electrical shock, turn off the electricity to the fan at the main fuse box or circuit panel before you begin the fan installation or before servicing the fan or installing accessories.

1. **READ ALL INSTRUCTIONS AND SAFETY INFORMATION CAREFULLY BEFORE INSTALLING YOUR FAN AND SAVE THESE INSTRUCTIONS.**

CAUTION: To avoid personal injury, the use of gloves may be necessary while handling fan parts with sharp edges.

2. Make sure all electrical connections comply with Local Codes or Ordinances, the National Electrical Code, and ANSI/NFPA 70-1999. If you are unfamiliar with electrical wiring or if the house/building wires are different colors than those referred to in the instructions, please use a qualified electrician.
3. Make sure you have a location selected for your fan that allows clear space for the blades to rotate, and at least seven (7) feet (2.13 meters) of clearance between the floor and the fan blade tips. The fan should be mounted at least thirty (30) inches (76 centimeters) from walls or other upright structures.
4. The outlet box and ceiling support joist used must be securely mounted, and capable of supporting at least 35 pounds (16 kilograms). The box must be supported directly by the building structure. Use only UL listed outlet boxes marked "FOR FAN SUPPORT."

WARNING: To reduce the risk of fire, electrical shock, or personal injury, mount to the outlet box marked "Acceptable for Fan Support," and use the mounting screws provided with the outlet box. Most outlet boxes commonly used for the support of lighting fixtures are not acceptable for fan support and may need to be replaced. Consult a qualified electrician if in doubt.

WARNING: To reduce the risk of fire, electrical shock, or personal injury, wire connectors provided with this fan are designed to accept only one 12 gauge house wire and two lead wires from the fan. If your house wire is larger than 12 gauge or there is more than one house wire to connect to the two fan lead wires, consult an electrician for the proper size wire connectors to use.

5. Electrical diagrams are for reference only. Light kits that are not packed with the fan must be UL listed and marked suitable for use with the model fan you are installing. Switches must be UL general use switches. Refer to the instructions packaged with the light kits and switches for proper assembly.
6. After installation is complete, check that all connections are absolutely secure.
7. After making electrical connections, spliced conductors should be turned upward and pushed carefully up into the outlet box. The wires should be spread apart with the grounded conductor and the equipment-grounding conductor on opposite sides of the outlet box.

WARNING: To reduce the risk of electrical shock, fire and to prevent humming noise do not use this fan with any solid state speed control device or control fan speed with a full range dimmer switch. [Using a full range dimmer switch to control fan speed will cause a loud humming noise from fan.] (**Note:** This fan *is* suitable for use with remote control.)

8. Do not operate the reverse switch until the fan has come to a complete stop.
9. Do not insert anything between the fan blades while they are rotating.

WARNING: To reduce the risk of personal injury, do not bend the blade arms during assembly or after installation. Do not insert objects into the path of the blades.

WARNING: To avoid personal injury or damage to the fan and other items, be cautious when working around or cleaning the fan.

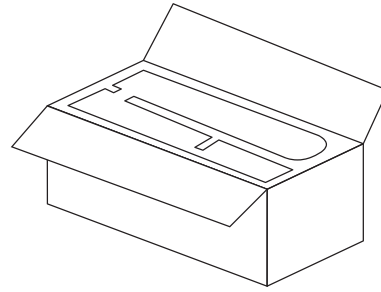
10. Do not use water or detergents when cleaning the fan or fan blades. A dry dust cloth or lightly dampened cloth will be suitable for most cleaning.

WARNING: To reduce the risk of personal injury, use **only** parts provided with this fan. **The use of parts OTHER than those provided with this fan will void the warranty.**

NOTE: The important safety precautions and instructions appearing in the manual are not meant to cover all possible conditions and situations that may occur. It must be understood that common sense and caution are necessary factors in the installation and operation of this fan.

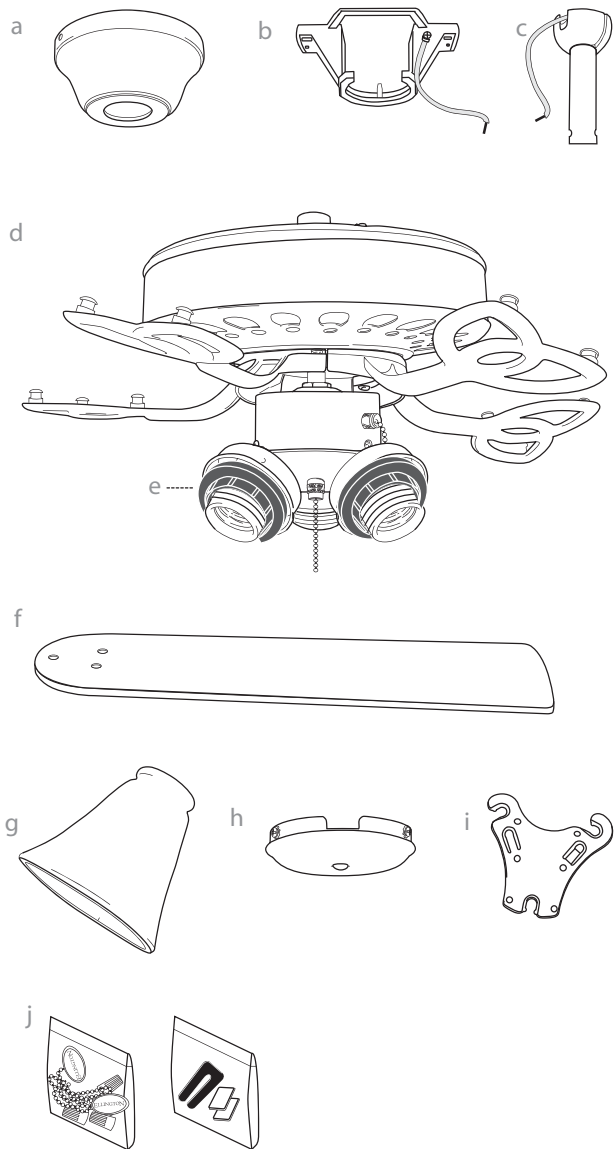
1. Unpacking Your Fan.

Carefully open the packaging. Remove items from Styrofoam inserts. Remove motor housing and place on carpet or Styrofoam to avoid damage to finish. Do not discard fan carton or Styrofoam inserts should this fan need to be returned for repairs. Check against parts inventory that all parts have been included.



2. Parts Inventory.

- a.** canopy. 1 piece
- b.** hanging bracket. 1 piece
- c.** 4in. downrod and hanging ball. 1 piece
- d.** motor housing/blade arms/ switch housing/light kit fitter pre-assembled. 1 piece
- e.** socket ring (pre-attached to light kit fitter). 3 pieces
- f.** blade. 5 pieces
- g.** glass shade. 3 pieces
- h.** switch housing cap. 1 piece
- i.** y-connect blade assembly piece. 5 pieces
- j.** hardware packs



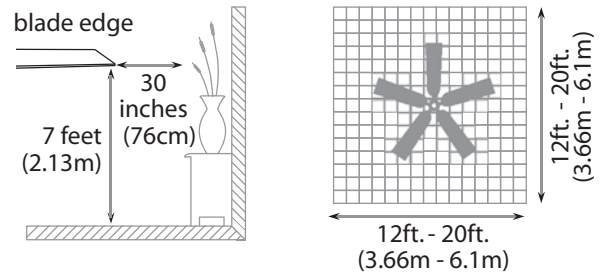
! IMPORTANT REMINDER: You must use the parts provided with this fan for proper installation and safety. **!**

required bulbs:
3 x 60 watt max. candelabra base bulbs
(included)



3. Installation Preparation.

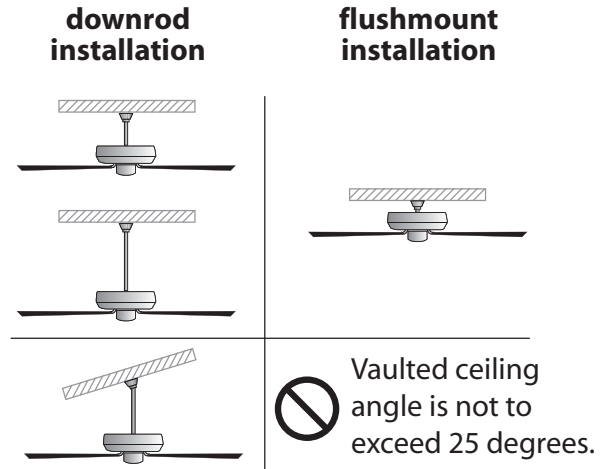
To prevent personal injury and damage, ensure that the hanging location allows the blades a clearance of 7 feet (2.13m) from the floor and 30in. (76 cm) from any wall or obstruction. This fan is suitable for room sizes up to 400 square feet (37.2 square meters).



This fan can be mounted with a **downrod** on a normal or vaulted ceiling. The hanging length can be extended by purchasing a longer downrod (0.5 inch/1.27cm diameter). After installing hanging bracket, continue to Step 5 on page 4 for those instructions. Fan can be mounted using **flushmount** installation *only* on a normal ceiling. After installing hanging bracket, continue to Step 6 on page 5 for those instructions.

Installation requires these tools:

Phillips screwdriver, flathead screwdriver, adjustable pliers or wrench, stepladder, wire cutters, and rated electrical tape.



4. Hanging Bracket Installation.

Turn off circuit breakers to current fixture from breaker panel and be sure operating light switch is turned to the OFF position.

WARNING: Failure to disconnect power supply prior to installation may result in serious injury.

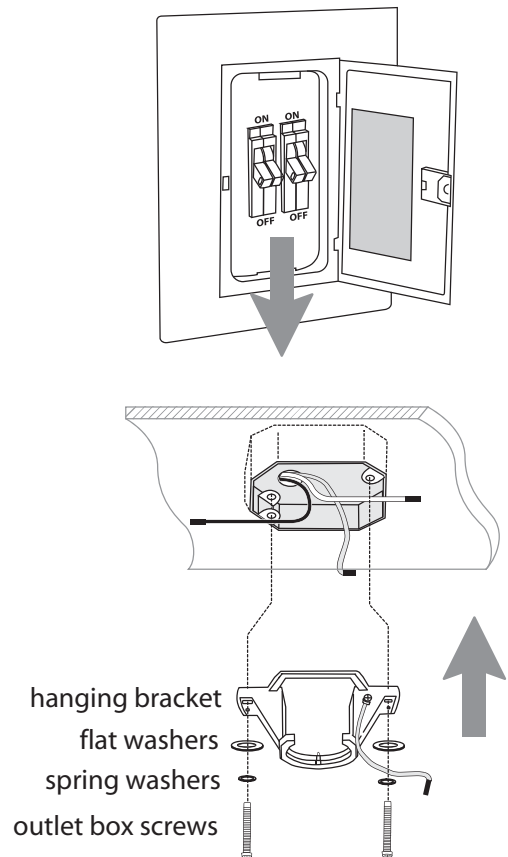
Remove existing fixture.

WARNING: When using an existing outlet box, be sure the outlet box is securely attached to the building structure and can support the full weight of the fan. Ensure outlet box is clearly marked "Suitable for Fan Support." If not, it must be replaced with an approved outlet box. Failure to do so can result in serious injury.

CAUTION: Be sure outlet box is grounded properly and that a ground wire (green or bare) is present.

Install hanging bracket to outlet box using original screws, spring washers and flat washers provided with new or original outlet box.* If installing on a vaulted ceiling, face opening of hanging bracket towards high point of ceiling. Arrange electrical wiring around the back of the hanging bracket and away from the bracket opening.

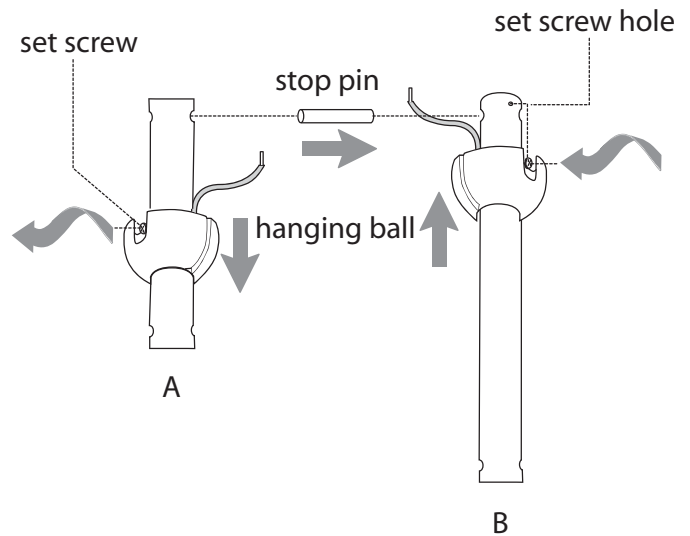
***Note:** It is very important that you use the proper hardware when installing the hanging bracket as this will support the fan.



5. Fan Assembly (downrod).

If you wish to extend the hanging length of your fan, you must remove the hanging ball from the 4in. downrod provided to use with an extended downrod (sold separately). [If you wish to use the 4in. downrod, please proceed to instructions following the dotted line below.]

To remove hanging ball, loosen set screw on hanging ball, lower hanging ball and remove stop pin. Slide hanging ball off the original downrod, A, and slide it down the longer downrod, B (the top of the downrod should be noted as having a set screw hole; use this hole when setting the set screw). Insert stop pin into top of extended downrod and raise hanging ball. Be sure stop pin aligns with slots on the inside of the hanging ball. Tighten set screw securely.



Tip: To prepare for threading electrical wires through downrod, apply a small piece of electrical tape to the ends of the electrical wires-this will keep the wires together when threading them through the downrod.

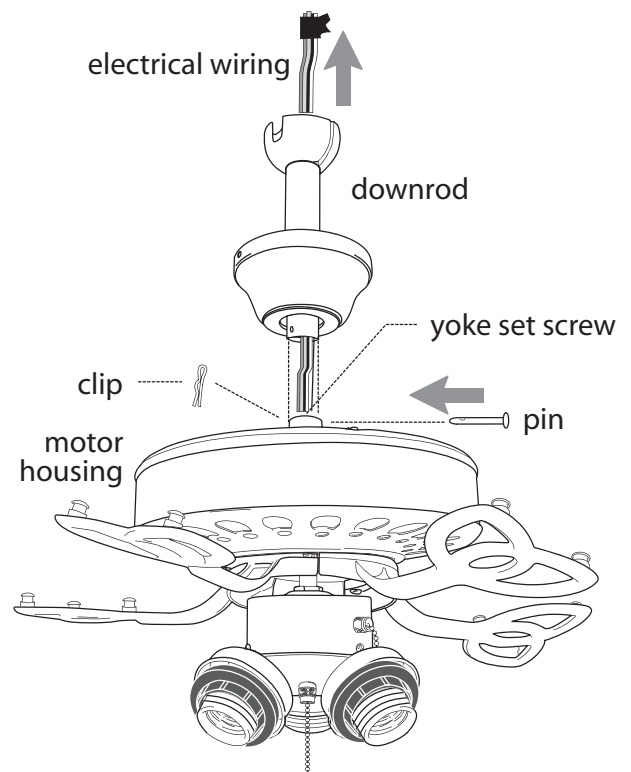
Loosen yoke set screws and nuts and remove pin and clip from motor housing yoke. Slide downrod through canopy.

Thread electrical wires through downrod and pull extra wire slack from the upper end of the downrod.

Place downrod into the motor housing yoke and re-insert pin and clip that were previously removed. Tighten yoke set screws and nuts securely. Lower canopy to motor housing.

["Fan Assembly" continued on next page.]

NOTE: The important safety precautions and instructions appearing in the manual are not meant to cover all possible conditions and situations that may occur. It must be understood that common sense and caution are necessary factors in the installation and operation of this fan.

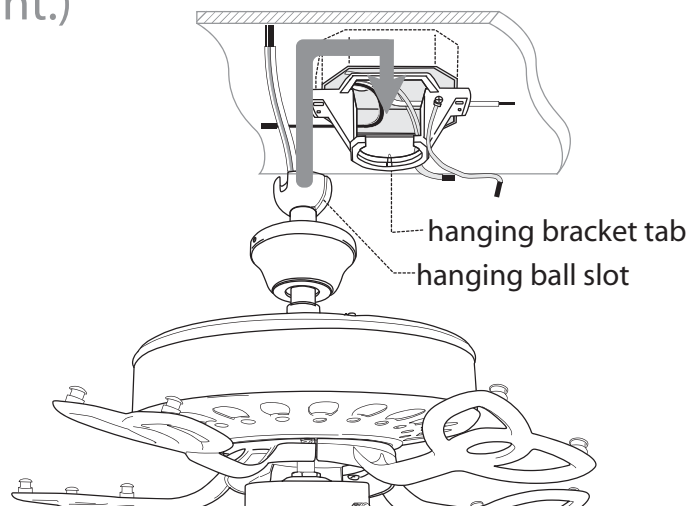


5. Fan Assembly (downrod). (cont.)

With the hanging bracket secured to the outlet box and able to support the fan, you are now ready to hang your fan. Grab the fan firmly with two hands. Slide downrod through opening in hanging bracket and let hanging ball rest on the hanging bracket. Turn the hanging ball slot until it lines up with the hanging bracket tab.

Tip: Seek the help of another person to hold the stepladder in place and to lift the fan up to you once you are set on the ladder.

Continue to "Wiring" section for wiring diagram.



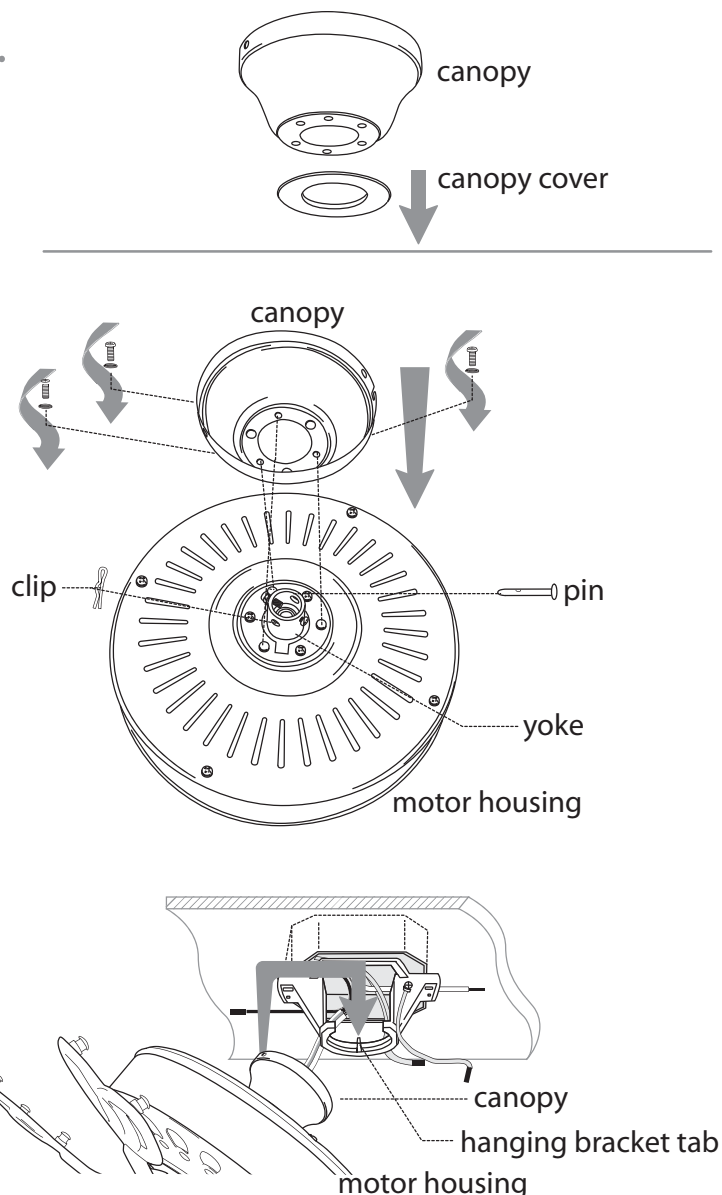
6. Fan Assembly (flushmount).

Remove and set aside canopy cover to reveal 6 holes. Notice that 3 holes are larger than the others.

If there are only 3 screws in top of motor housing, please proceed to next paragraph. If there are 6 screws in top of motor housing, remove every other screw and lock washer.

Remove pin and clip from motor housing yoke. Thread wiring through canopy. Place canopy over yoke, aligning larger holes in canopy with the 3 existing screws in top of motor housing. Insert the 3 screws and 3 lock washers that were removed (if there were only 3 screws located in top of motor housing, these screws/lock washers will be located in one of the hardware packs) into the remaining holes. Securely tighten these screws.

To prepare the fan for wiring, hang fan onto hanging bracket by sliding the canopy over the hanging bracket tab. (Use one of the non-slotted holes on the rim of the canopy to do so.)



7. Wiring.

CAUTION: Be sure outlet box is properly grounded and that a ground (**GREEN** or Bare) wire is present.

Make sure all electrical connections comply with Local Codes or Ordinances and the National Electrical Code. If you are unfamiliar with electrical wiring or if the house/building wires are different colors than those referred to in the instructions below, please use a qualified electrician.

When downrod is secured in place on the hanging bracket, electrical wiring can be made as follows:

Connect **BLACK** and **BLUE** wire from fan to **BLACK** wire from ceiling with wire connector provided.

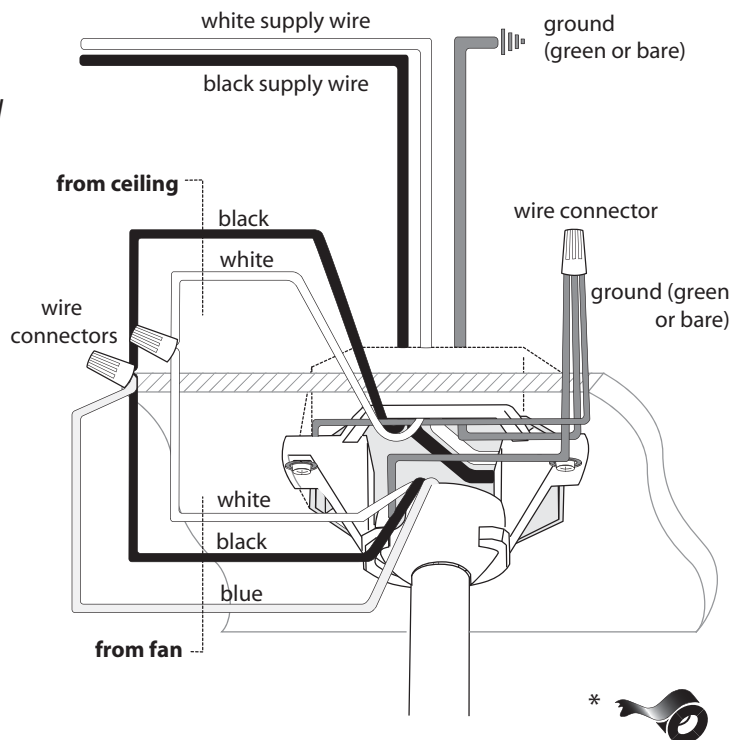
Connect **WHITE** wire from fan to **WHITE** wire from ceiling with wire connector provided.

Connect all **GROUND (GREEN)** wires together from fan to **BARE/GREEN** wire from ceiling with wire connector provided.

If you intend to control the fan light with a separate light switch, connect **BLUE** wire from fan to the **BLACK** supply from the independent switch.

* Wrap each wire connector separately with electrical tape as an extra safety measure.

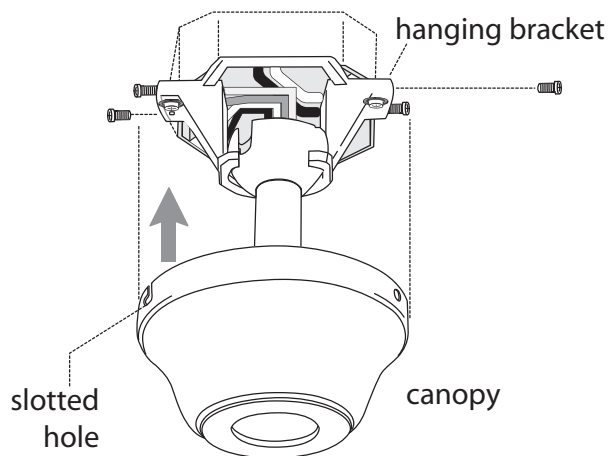
This fan is remote adaptable (remote control sold separately).



8. Canopy Assembly.

Temporarily raise canopy to hanging bracket to determine which 2 screws in hanging bracket align with *slotted* holes in canopy, and then lower canopy and *partially loosen* these 2 screws. Remove the **other** 2 screws and set aside.

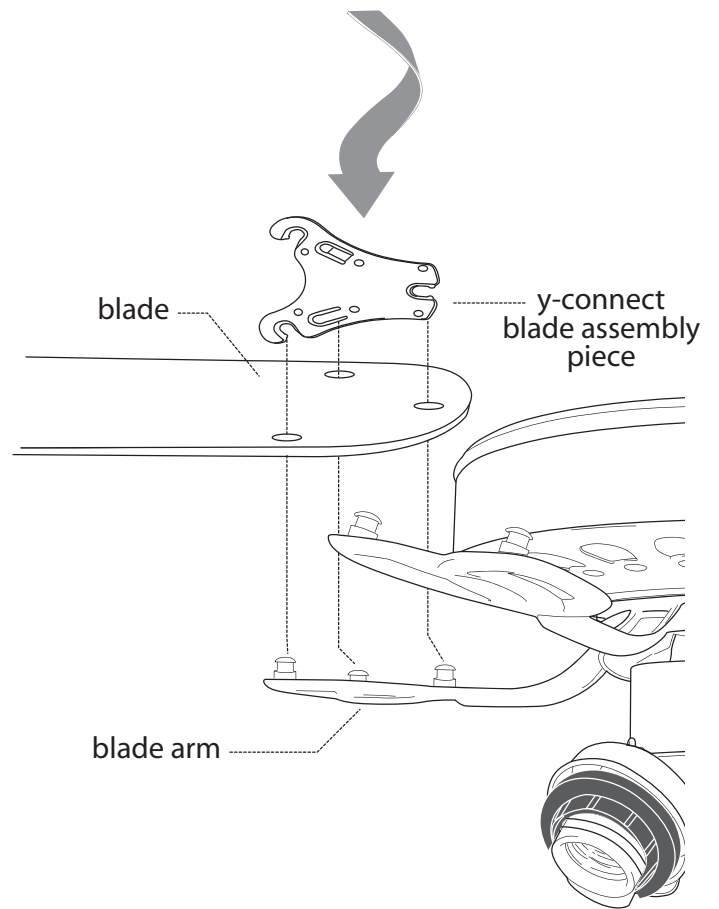
Now, lift canopy to hanging bracket again, aligning slotted holes in canopy with loosened screws in hanging bracket. Twist canopy to lock. Re-insert the other 2 screws and secure all screws with Phillips screwdriver.



9. Blade Attachment.

Align the 3 blade screws, pre-installed on the blade arm, with the 3 holes on the blade. Press up on the blade arm firmly so that the blade screws come through the holes in the blade. (*Be careful not to use so much force that the blade arm bends.*) Repeat for each blade arm.

Place the y-connect blade assembly on the opposite side of the blade as the blade arm, with the shorter end toward the end of the blade with one hole and against the blade screw on the end of the blade arm (as shown). Rotate y-connect blade assembly counterclockwise to lock y-connect blade assembly into place. Repeat for each blade.



10. Removal of Light Kit (Optional).

*Skip to Section 11 on the following page if you do NOT wish to remove light kit.

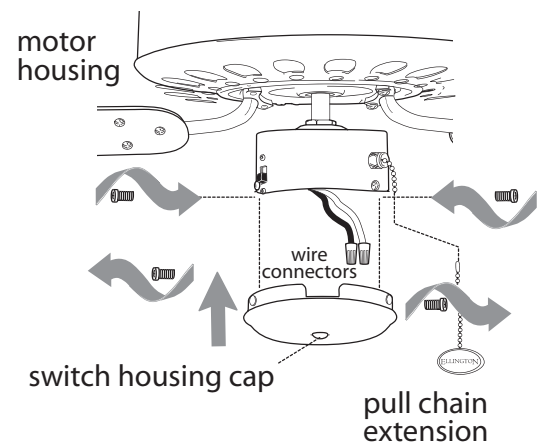
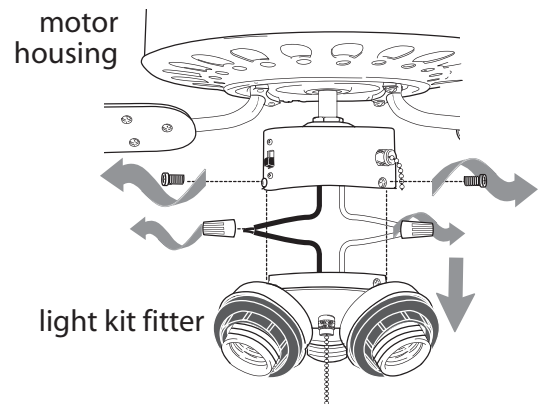
If you wish to remove light kit from fan to use fan without light kit, remove 3 screws from switch housing. Pull down gently on light kit fitter.

Remove wire connector that connects **BLUE** wire from fan to **BLACK** wire from the light kit fitter. Place wire connector that was removed on **BLUE** wire from fan. Remove wire connector that connects **WHITE** wire from fan to **WHITE** wire from light kit fitter. Place wire connector that was removed on **WHITE** wire from fan.

*Wrap each wire connector separately with electrical tape as an extra safety measure.

Remove 3 screws from switch housing cap. Align holes in switch housing cap with holes in switch housing. Attach switch housing cap to switch housing with the same 3 screws that were removed at the beginning of this section. Attach pull chain extension provided to fan pull chain. Custom pull chain extension (sold separately) may also be used.

Go to Section 12 ("Testing Your Fan") to finalize installation.



11. Light Kit Assembly (Optional).

Remove socket ring from each light socket. Use 1 socket ring to attach each glass shade. *Do not overtighten socket rings as glass may crack or break.*

Install 3 candelabra base 60 watt max. bulbs (included).

Important: When you need to replace bulbs, please allow bulb(s) and glass shades(s) to cool down before touching them.

Note: This fan is equipped with a wattage limiting device. Therefore, using a light kit other than the one provided may cause the light kit to fail.

12. Testing Your Fan.

It is recommended that you test fan before finalizing installation. Restore power from circuit box and light switch (if applicable). Test fan speeds with the pull chain located on the switch housing. Start at the OFF position (no blade movement). First pull will set the fan to HI. Second pull will set the fan to MEDIUM. Third pull will set the fan to LOW. Fourth pull will again set the fan to OFF setting. Test lights with the pull chain located in the middle. If fan and/or lights do/does not function, please refer to "Troubleshooting" section to solve any issues before contacting Customer Service.

Turn fan completely off *before* moving the reverse switch. Set reverse switch to recirculate air depending on the season:

- DOWN position in summer (**diagram 1**)
- UP position in winter (**diagram 2**)

A ceiling fan will allow you to raise your thermostat setting in summer and lower your thermostat setting in winter without feeling a difference in your comfort.

Important: Reverse switch must be set either *completely UP* or *completely DOWN* for fan to function. If the reverse switch is set in the *middle* position (**diagram 3**), fan will not operate.

Attach pull chain extensions provided or custom pull chain extensions (sold separately) to the ends of the pull chains.

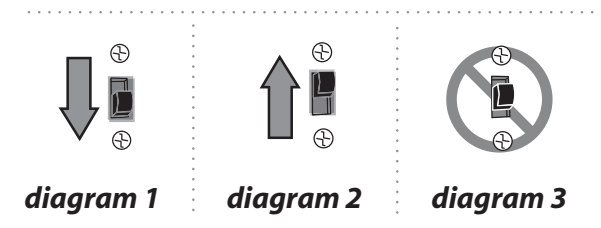
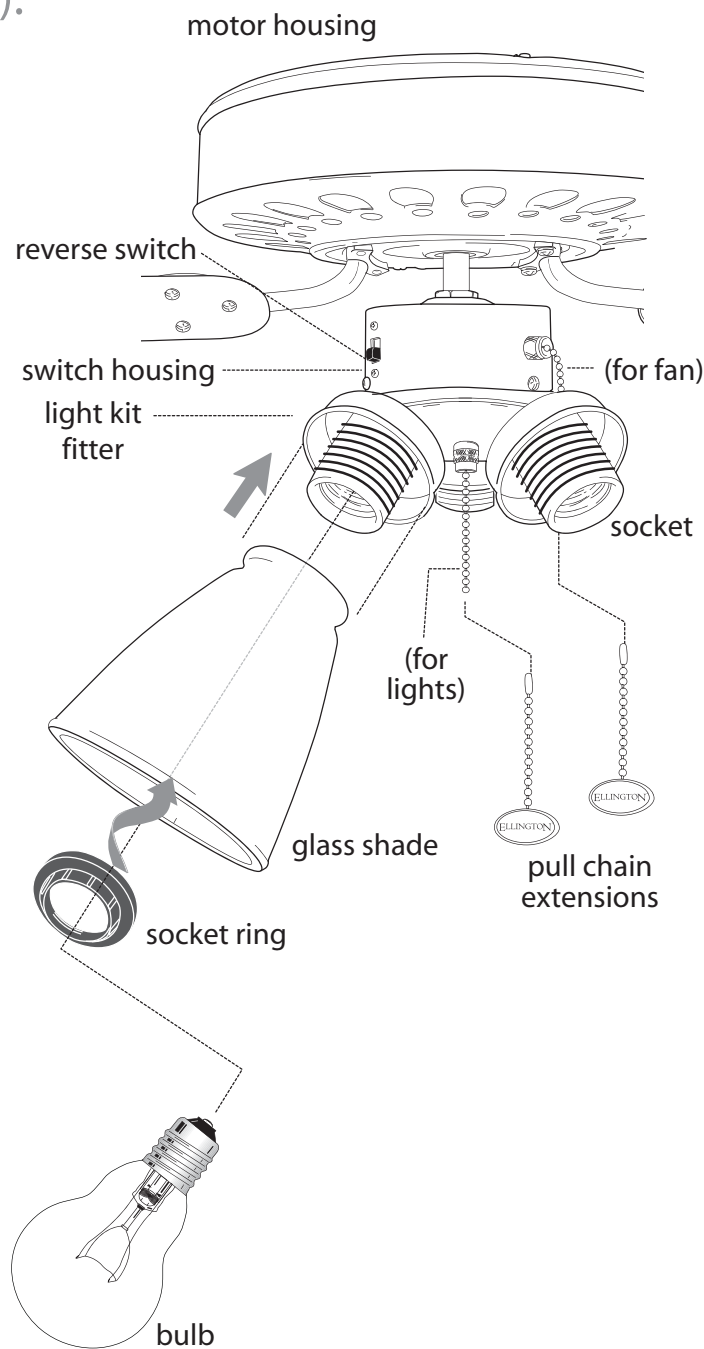


diagram 1

diagram 2

diagram 3

Troubleshooting.

WARNING: Failure to disconnect power supply prior to troubleshooting any wiring issues may result in serious injury.

Problem: Fan fails to operate.

Solutions:

1. Check wall switch to fan.
2. Verify that reverse switch is set completely in either direction.
3. Check to be sure that fan is wired properly.

Problem: Light kit (optional) not lighting.

Solutions:

1. Check wall switch to fan.
2. Check that bulbs are installed correctly.
3. Check to be sure that wires in canopy are wired properly.
4. Verify that wires in switch housing are connected properly with wire connectors.
5. Check to be sure that bulbs total no more than 190W. [Note: Lamping light kit with bulbs that total more than 190W will cause the wattage limiting device to interrupt the flow of electricity to the light kit.]

Problem: Fan operates but lights fail (if applicable).

Solutions:

1. Check that bulbs are installed correctly.
2. Check to be sure that wires in canopy are wired properly.
3. Verify that wires in switch housing are connected properly with wire connectors.
4. Replace defective bulb with same type of bulb.
5. Check to be sure that bulbs total no more than 190W. [Note: Lamping light kit with bulbs that total more than 190W will cause the wattage limiting device to interrupt the flow of electricity to the light kit.]

Problem: Fan wobbles.

Solution:

1. Use the balancing kit provided in one of the hardware packs. *If no blade balancing kit is provided, please call Customer Support, 1-800-527-1292, to request one.*
2. Check to be sure set screw(s) on motor housing yoke is (are) tightened securely.
3. Check to be sure set screw on hanging ball is tightened securely.

Warranty.

ELLINGTON LIMITED LIFETIME WARRANTY:

ELLINGTON/LITEX INDUSTRIES, LTD. warrants this fan to the original household purchaser for indoor use under the following provisions:

1-YEAR WARRANTY: ELLINGTON/LITEX INDUSTRIES, LTD. will replace or repair any fan which has faulty performance due to a defect in material or workmanship. Contact Litex Customer Service at **1-800-527-1292** to arrange for return of fan. Return fan, shipping prepaid, to Litex Industries, Ltd. We will repair or ship you a replacement fan, and we will pay the return shipping cost.

5-YEAR WARRANTY: ELLINGTON/LITEX INDUSTRIES, LTD. will repair or replace at no charge to the original purchaser any fan motor that fails to operate satisfactorily when failure results from normal use.

RETURN FAN MOTOR ONLY, shipping prepaid, to Litex Industries. We will repair or ship purchaser a replacement motor and Litex will pay the return shipping cost.

6-YEAR to LIFETIME LIMITED WARRANTY: ELLINGTON/LITEX INDUSTRIES, LTD. will repair the fan, at no charge for labor only to the original purchaser, if the fan motor fails to operate satisfactorily when failure results from normal use. Parts used in the repair will be billed to the purchaser at prevailing prices at time of repair.

The purchaser shall be responsible for all costs incurred in the removal, reinstallation and shipping of the product for repairs.

This warranty does not apply when damage from mechanical, physical, electrical or water abuse results in causing the malfunction. Deterioration of finishes or other parts due to time or exposure to salt air is specifically exempted under this warranty.

Neither Litex Industries nor the manufacturer will assume any liability resulting from improper installation or use of this product. In no case shall the company be liable for any consequential damages for breach of this, or any other warranty expressed or implied whatsoever. This limitation as to consequential damages shall not apply in states where prohibited.

Parts Replacement.

For parts and information, please refer to "Parts Inventory" on page 2.

Ellington Customer Support:

1-800-527-1292

www.ellingtonfans.com

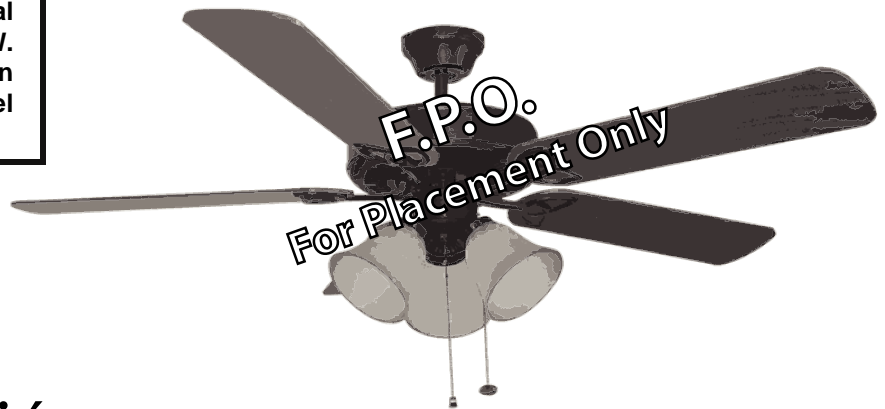
ELLINGTON®
Elevating Style®

ELLINGTON®

Elevating Style®

El reglamento federal requiere que un ventilador de techo con juego de luz fabricado o importado después del 1^o de enero del 2009 limite el vatiaje total que consume el juego de luz a 190W. Por lo tanto, este ventilador tiene un aparato que sirve para limitar el vatiaje.

LEER ESTAS INSTRUCCIONES Y
GUARDARLAS PARA UTILIZACION FUTURA



Guía de instalación

Para Modelos:

E-BLD52ABZ5C3

E-BLD52AN5C3

E-BLD52MWW5C3

Indice de materias:

Sugerencias de seguridad. Pág. 1

Desempaquetado del ventilador. Pág. 2

Inventario de piezas. Pág. 2

Preparación para la instalación. Pág. 3

Instalación del soporte de montaje. Pág. 3

Ensamblaje del ventilador. Págs. 4 - 5

Instalación eléctrica. Pág. 6

Colocación de la cubierta decorativa. Pág. 6

Colocación de las aspas. Pág. 7

El quitar el juego de luz (opcional). Pág. 7

Instalación del juego de luz (opcional). Pág. 8

Verificación del funcionamiento del ventilador. Pág. 8

Localización de fallas. Pág. 9

Garantía. Pág. 9

Piezas de repuesto. Pág. 9



LISTED
E192641

peso neto del ventilador: 9,54 kg (21,03 lb)

IMPRESO EN CHINA

SUGERENCIAS DE SEGURIDAD.

ADVERTENCIA: Para evitar la posibilidad de una descarga eléctrica, desconectar la corriente en la caja de fusibles principal o el interruptor protector antes de iniciar la instalación del ventilador o antes de repararlo o instalar accesorios.

1. **LEER TODAS LAS INSTRUCCIONES E INFORMACIÓN DE SEGURIDAD CUIDADOSAMENTE ANTES DE INSTALAR SU VENTILADOR Y GUARDAR ESTAS INSTRUCCIONES.**

PRECAUCION: Para reducir el riesgo de daño corporal, es posible que sea necesario usar guantes al manejar las piezas del ventilador que tengan bordes afilados.

2. Asegurarse de que todas las conexiones eléctricas cumplan con los Códigos o las Ordenanzas Locales, el Código Nacional Eléctrico, y ANSI/NFPA 70-1999. Si usted no está familiarizado con el alambrado eléctrico o los cables de la casa/el edificio son de colores diferentes a los cuales se refieren en las instrucciones, favor de buscar un electricista calificado.
3. Asegurarse de que haya localizado una ubicación para su ventilador que permite el espacio necesario para la rotación de las aspas y por lo menos 2,13 metros (7 pies) de espacio libre entre el piso y las puntas de las aspas. Debe instalar el ventilador a una distancia de por lo menos 76 centímetros (30 pulgadas) de las paredes y otras estructuras verticales.
4. La caja de salida eléctrica debe estar bien sujetado a la viga de soporte del techo y deben ser capaces de sostener por lo menos 16 kilogramos (35 libras). La caja debe tener apoyo directo de la estructura del edificio. Sólo usar cajas de salida registradas con UL que indican que "sirven para ventilador" ("FOR FAN SUPPORT" en inglés).

ADVERTENCIA: Para reducir el riesgo de incendio, descarga eléctrica o daño corporal, instalar en la caja de salida marcada "Aceptable para sostener ventilador" (Acceptable for Fan Support) y utilizar los tornillos proporcionados con la caja de salida. La mayoría de las cajas de salida que normalmente se usan para sostener los aparatos de alumbrado no siempre son apropiadas para sostener ventiladores y es posible que las tenga que reemplazar. En caso de duda, consultar con un electricista calificado.

ADVERTENCIA: Para reducir el riesgo de incendio, descarga eléctrica o daño corporal, los conectores para cable provistos con este ventilador son diseñados para aceptar sólo un cable de calibre 12 de la casa y dos cables principales del ventilador. Si el calibre del cable de la casa es superior al 12 o hay más de un cable de la casa para conectar a los cables principales del ventilador, consultar con un electricista para informarse sobre el tamaño correcto de conectores para cable que se debe usar.

5. Los diagramas eléctricos son únicamente para referencia. Los juegos de luz que no se incluyen con el ventilador deben tener el símbolo UL y también deben indicar que sirven para uso con este ventilador. Los interruptores deben ser interruptores de uso general UL. Referirse a las instrucciones incluidas con el juego de luz y los interruptores para ensamblarlos correctamente.
6. Después de haber terminado la instalación, asegurarse de que todas las conexiones estén totalmente seguras.
7. Después de haber terminado todas las conexiones eléctricas, los conductores empalmados deben ser volteados para arriba y colocados cuidadosamente dentro de la caja de salida. Los alambres se deben de separar con el conductor a tierra a un lado y el conductor a tierra del equipo al lado opuesto.

ADVERTENCIA: Para reducir el riesgo de incendio o un choque eléctrico, no use el ventilador con ningún control de velocidad de estado sólido ni controle la velocidad del ventilador con un interruptor con reductor de luz de gama completa. [El usar un interruptor con reductor de luz de gama completa para controlar la velocidad del ventilador causara un zumbido recio del ventilador.] (**Nota:** Este ventilador *sí* sirve para usar con aparatos de control remoto.)

8. No utilizar el interruptor de reversa hasta que el ventilador se haya parado completamente.
9. No insertar ningún objeto entre las aspas mientras estén rotando.

ADVERTENCIA: Para reducir el riesgo de daño corporal, no doblar los brazos de las aspas durante el ensamblaje ni durante la instalación. No insertar objetos entre las aspas mientras estén rotando.

ADVERTENCIA: Para reducir el riesgo de daño corporal o algún daño al ventilador, tener cuidado al estar trabajando alrededor del ventilador o limpiándolo.

10. No utilizar agua ni detergentes para limpiar el ventilador ni las aspas. Usar un trapo seco o ligeramente húmedo para su limpieza general.

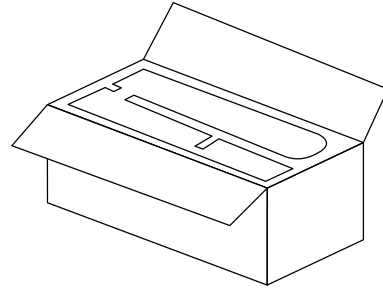
ADVERTENCIA: Para reducir el riesgo de daño corporal, usar **sólo** las piezas provistas con este ventilador. **Al usar piezas DISTINTAS a las provistas con este ventilador se invalidará la garantía.**

NOTA: No se debe concluir que las precauciones de seguridad importantes e instrucciones en este manual van a abarcar todas las condiciones y situaciones posibles que puedan ocurrir. Se debe entender que el sentido común y la precaución son factores necesarios en la instalación y la operación de este ventilador.

1. Desempaquetado del ventilador.

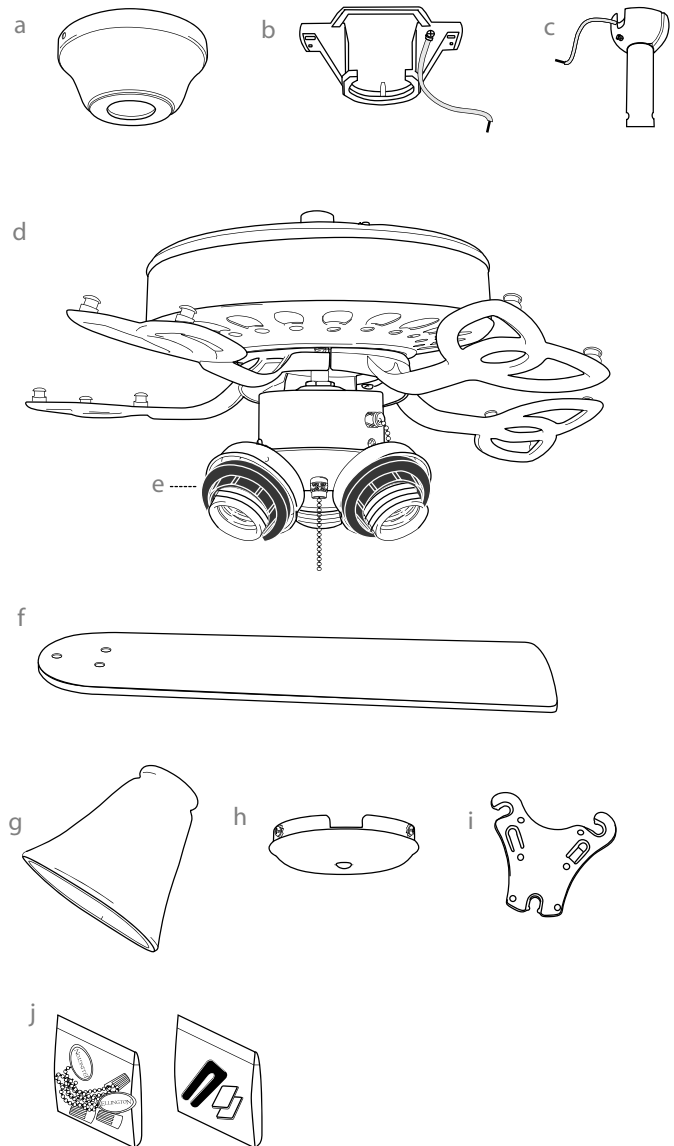
Abrir el empaque cuidadosamente. Sacar los artículos del embalaje. Sacar el motor y ponerlo en una alfombra o en el embalaje para evitar rayar el acabado. Guardar la caja de cartón o el empaquetamiento original en caso de que tenga que mandar el ventilador para alguna reparación.

Comprobar las piezas del ventilador con el inventario de piezas y verificar que se incluyeron todas.



2. Inventario de piezas.

- a.** cubierta decorativa. 1 unidad
- b.** soporte de montaje. 1 unidad
- c.** tubo de 10,16cm y bola que sirve para colgar. 1 unidad
- d.** bastidor del motor/brazo para el aspa/caja de encendido/conectador para el juego de luz (fijados de antemano). 1 unidad
- e.** anillo de portlámpara (fijado de antemano al conectador para el juego de luz). 3 unidades
- f.** aspa. 5 unidades
- g.** pantalla de vidrio. 3 unidades
- h.** cubierta de la caja de encendido. 1 unidad
- i.** mecanismo de seguridad plástico. 5 unidades
- j.** paquetes de artículos de ferretería



⚠ RECORDATORIO IMPORTANTE:
Se tienen que utilizar las piezas provistas con este ventilador para una instalación adecuada y su seguridad. **⚠**

bombillas necesarias:
3 bombillas de base candelabro de 60 vatios máx.
(incluidas)



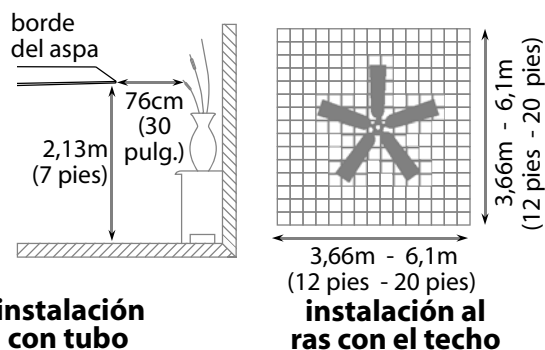
3. Preparación para la instalación.

Para prevenir daño corporal y otros daños, estar seguro de que el lugar en donde va a colgar el ventilador le permite un espacio libre de 2,13m (7 pies) entre las puntas de las aspas y el piso y 76cm (30 pulg.) entre las aspas y cualquier pared u otra obstrucción. Este ventilador es adecuado para habitaciones hasta 37,2 metros cuadrados (400 pies cuadrados).

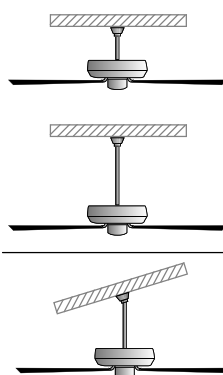
Se puede colgar este ventilador **con tubo** en un techo regular o abovedado. La longitud colgante se puede extender comprando un tubo más largo (diámetro de 1,27cm/0,5 pulg.). *Después de instalar el soporte de montaje, pasar a la sección 5 en la página 4 para esas instrucciones.* Este ventilador también se puede instalar **al ras con el techo** solamente en un techo regular sin inclinación. *Después de instalar el soporte de montaje, pasar con la sección 6 en la página 5 para esas instrucciones.*

Se necesitan las herramientas siguientes para la instalación:

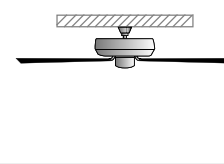
Destornillador de estrella Phillips, destornillador de paleta (plano), alicates ajustables o llave de tuercas, escalera de tijera, cortaalambres y cinta aisladora.




instalación con tubo



instalación al ras con el techo



 El ángulo del techo abovedado no puede exceder los 25 grados de inclinación.

4. Instalación del soporte de montaje.

Apagar los cortacircuitos en el panel de electricidad que suplen corriente a la caja de salida y asegurarse de que el interruptor de luz esté APAGADO.

ADVERTENCIA: El no desconectar el suministro de fuerza antes de la instalación puede tener por resultado lesiones graves.

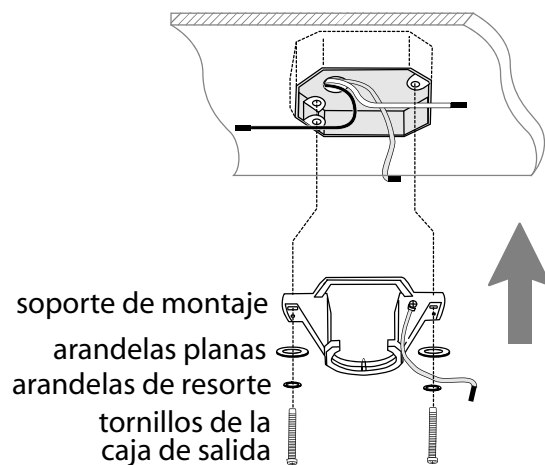
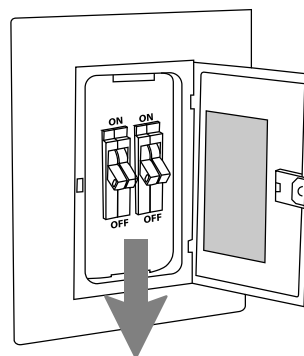
Quitar el aparato existente.

ADVERTENCIA: Si utiliza una caja de salida eléctrica existente, asegurarse de que la caja de salida esté firmemente conectada a la estructura del edificio y que sea capaz de sostener el peso total del ventilador. Asegurarse de que la caja de salida indique claramente que "Sirve para ventilador" (FOR FAN SUPPORT); si no, se debe reemplazar con una caja de salida aprobada. El no hacer el cambio si es necesario puede resultar en lesiones graves.

PRECAUCION: Asegurarse de que la caja de salida esté conectada a tierra correctamente y que haya un conductor a tierra (verde o pelado).

Instalar el soporte de montaje utilizando los tornillos originales, las arandelas de resorte y las arandelas planas de su nueva o existente caja de salida.* Si hace la instalación en un techo abovedado, colocar el soporte de montaje con la abertura dirigida hacia la parte alta del techo. Arreglar el alambrado eléctrico (los cables) en la parte de atrás del soporte y lejos de la abertura del soporte.

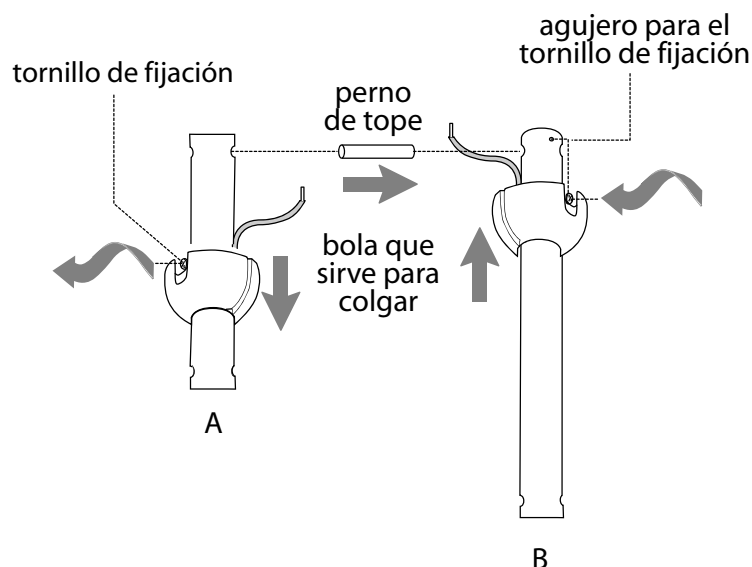
***Nota:** Es muy importante usar los artículos de ferretería correctos al instalar el soporte de montaje puesto que sirve para sostener el ventilador.



5. Ensamblaje del ventilador (con tubo).

Si usted desea extender la longitud colgante del ventilador, usted tendrá que quitar la bola que se sirve para colgar del tubo de 10,16cm provisto para usarla con un tubo más largo (a la venta por separado). [Si desea utilizar el tubo de 10,16cm, favor de pasar a las instrucciones después de la línea punteada más abajo.]

Para quitar la bola que sirve para colgar, aflojar el tornillo de fijación de la bola que sirve para colgar, bajar la bola que sirve para colgar y sacar el perno de tope. Quitar la bola que sirve para colgar del tubo original, A, y deslizarla sobre el tubo más largo, B (la parte de arriba del tubo debe tener el agujero para el tornillo de fijación en ese extremo; usar ese agujero al colocar el tornillo de fijación). Introducir el perno de tope en la parte de arriba del tubo más largo y subir la bola que sirve para colgar. Asegurarse de que el perno de tope se ponga en línea con las ranuras dentro de la bola que sirve para colgar. Apretar bien el tornillo de fijación.



Sugerencia: Para preparar los cables para pasarlos por el tubo, poner un pedacito de cinta aisladora en la punta de los cables--en eso se mantendrán juntos los cables al pasarlos por el tubo.

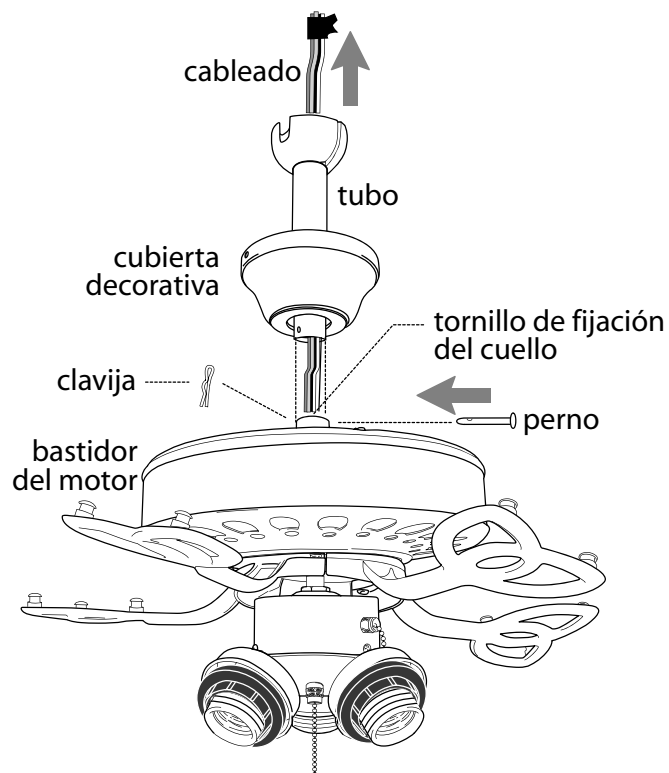
Aflojar los tornillos de fijación del cuello y las tuercas y quitar el perno y la clavija del cuello del bastidor del motor. Pasar el tubo por la cubierta decorativa.

Pasar los cables del ventilador a través del tubo y con cuidado jalar el cableado en exceso por la parte de arriba del tubo.

Colocar el tubo dentro del cuello del bastidor del motor y volver a introducir el perno y la clavija que se quitaron anteriormente. Apretar los tornillos de fijación del cuello y las tuercas completamente. Bajar la cubierta decorativa hasta el bastidor del motor.

[El "Ensamblaje del ventilador" continúa en la página siguiente.]

NOTA: No se debe concluir que las precauciones de seguridad importantes e instrucciones en este manual van a abarcar todas las condiciones y situaciones posibles que puedan ocurrir. Se debe entender que el sentido común y la precaución son factores necesarios en la instalación y la operación de este ventilador.

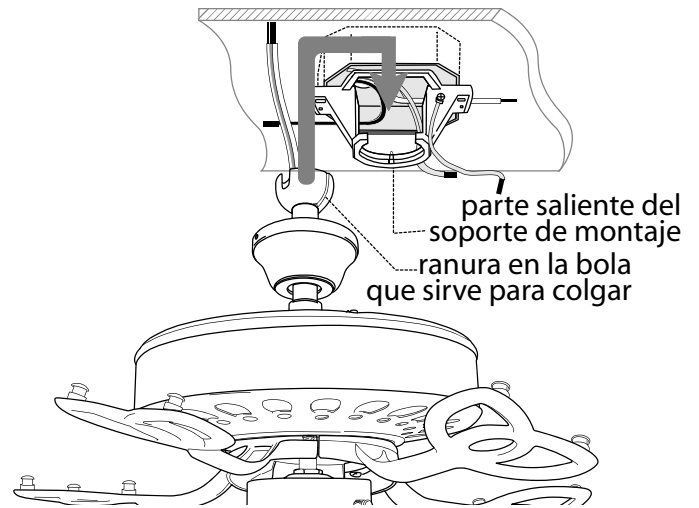


5. Ensamblaje del ventilador (con tubo). (cont.)

Ya que esté sujetado el soporte de montaje a la caja de salida y capaz de apoyar el ventilador, usted está listo para colgar el ventilador. Agarrar el ventilador firmemente con las dos manos. Deslizar el tubo por la abertura del soporte de montaje y dejar que se detenga la bola en el soporte de montaje. Girar la bola que sirve para colgar hasta que la ranura de la bola se alinee con la parte saliente del soporte de montaje.

Sugerencia: Solicitar ayuda de otra persona para mantener sujeto la escalera y para que le suba el ventilador cuando usted ya esté preparado en la escalera para colgarlo.

Ver la sección "Instalación eléctrica" para el diagrama de instalación eléctrica.



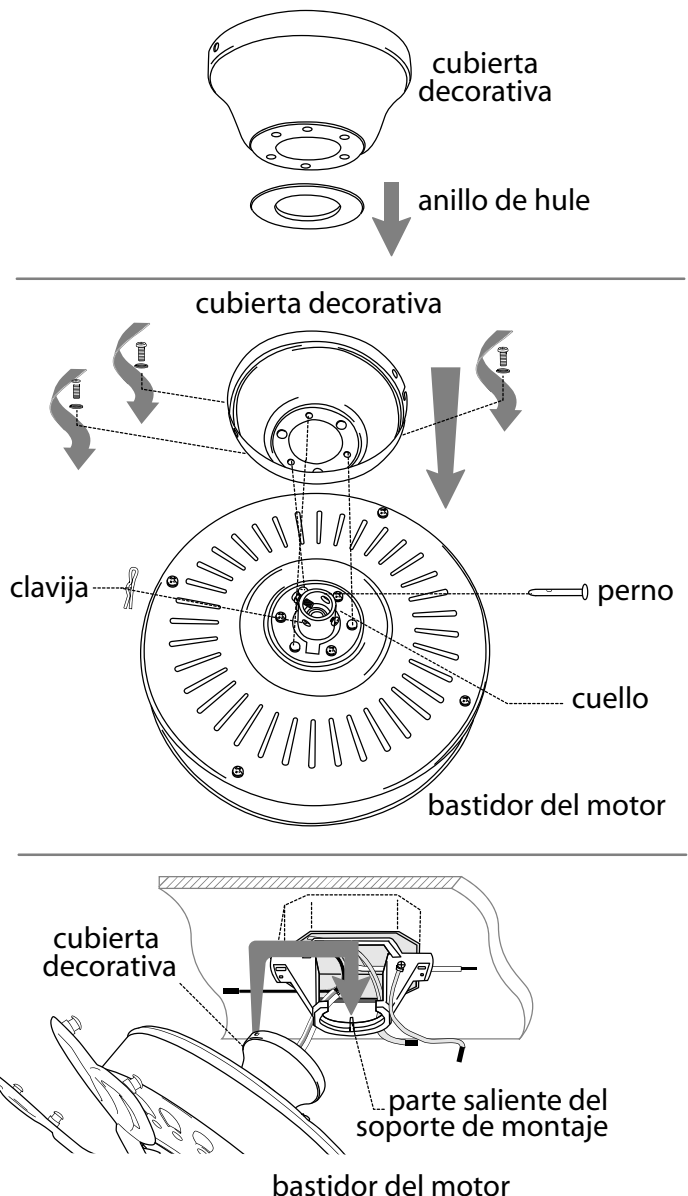
6. Ensamblaje del ventilador (al ras con el techo).

Quitar el anillo de hule de la cubierta decorativa y echarlo a un lado dejando que se vean 6 agujeros. Darse cuenta de que 3 de ellos son más grandes que los demás.

Si solamente hay 3 tornillos en la parte de arriba del bastidor del motor, favor de pasar al párrafo siguiente. Si hay 6 tornillos en la parte de arriba del bastidor del motor, quitar cada otro tornillo y arandela de seguridad.

Quitar el perno y la clavija del cuello del bastidor del motor. Pasar el cableado por la cubierta decorativa. Colocar la cubierta decorativa encima del cuello, alineando los agujeros más grandes en la cubierta decorativa con los 3 tornillos existentes en la parte de arriba del bastidor del motor. Introducir los 3 tornillos y las 3 arandelas de seguridad que se habían quitado (si sólo habían 3 tornillos en la parte de arriba del bastidor del motor, estos tornillos/arandelas de seguridad se encontrarán en uno de los paquetes de artículos de ferretería) en los demás agujeros. Apretar bien todos los tornillos.

Para preparar el ventilador para hacer la instalación eléctrica, colgar el ventilador en el soporte de montaje colocando la cubierta decorativa sobre la parte saliente del soporte de montaje. (Usar uno de los agujeros sin ranura en el borde de la cubierta decorativa para hacerlo.)



7. Instalación eléctrica.

PRECAUCION: Asegurarse de que la caja de salida esté conectada a tierra como es debido y que exista un conductor a tierra (**VERDE** o pelado).

Asegurarse de que toda conexión eléctrica cumpla con los Códigos y las Ordenanzas Locales o el Código Nacional Eléctrico. Si usted no está familiarizado con la instalación eléctrica o los cables de la casa/el edificio son de colores diferentes a los cuales se refieren a continuación, favor de buscar un electricista calificado.

Una vez que el ventilador esté bien sujeto en el soporte de montaje, se puede hacer la instalación eléctrica como sigue:

Conectar los cables **NEGRO** y **AZUL** del ventilador al cable **NEGRO** del techo con un conector para cable provisto.

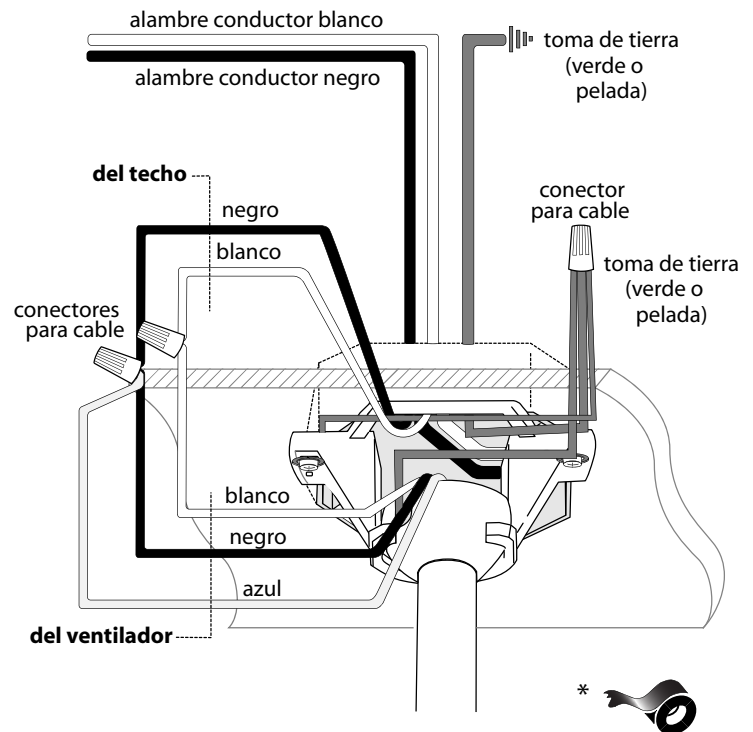
Conectar el cable **BLANCO** del ventilador al cable **BLANCO** del techo con un conector para cable provisto.

Conectar todos los **CONDUCTORES A TIERRA (VERDES)** del ventilador a los **PELADOS/VERDES** del techo con un conector para cable provisto.

Si usted piensa controlar la luz del ventilador con un interruptor distinto, conectar el cable **AZUL** del ventilador al conductor **NEGRO** que corresponde al interruptor independiente.

* Como una medida de seguridad adicional, envolver cada conector para cable por separado con cinta aisladora.

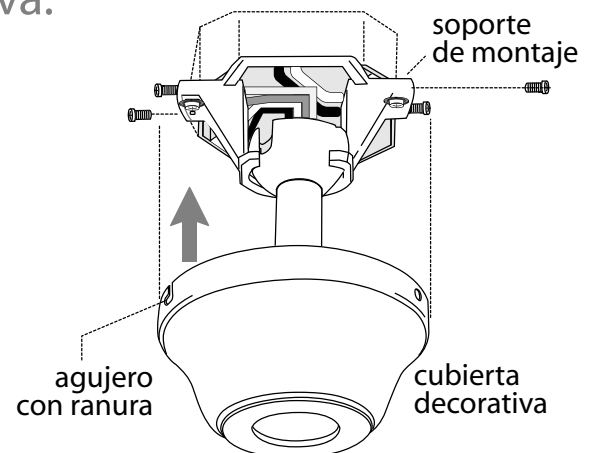
Este ventilador es adaptable para usar con control remoto (a la venta por separado).



8. Colocación de la cubierta decorativa.

Temporalmente subir la cubierta decorativa al soporte de montaje para determinar cuáles 2 tornillos en el soporte de montaje se alinean con los agujeros con ranura en la cubierta decorativa, y luego bajar la cubierta decorativa y parcialmente aflojar dichos tornillos. Quitar los **otros 2** tornillos.

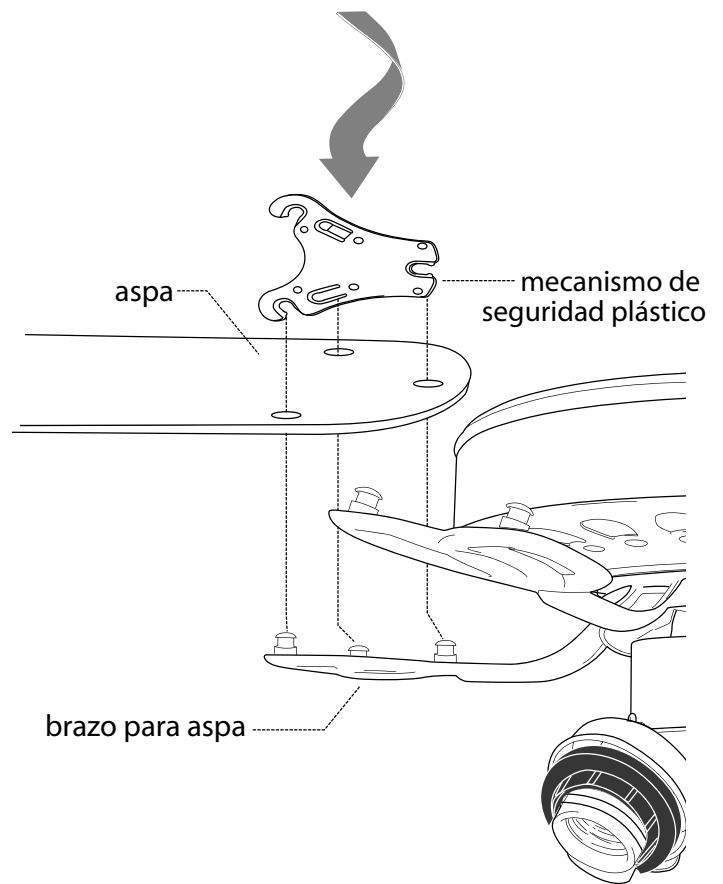
Ahora, levantar la cubierta decorativa al soporte de montaje de nuevo, alineando los agujeros con ranura en la cubierta decorativa con los tornillos aflojados en el soporte de montaje. Girar la cubierta decorativa para cerrarla. Volver a introducir los otros 2 tornillos y asegurar todos los tornillos con destornillador de estrella Phillips.



9. Colocación de las aspas.

Alinee los 3 tornillos para el aspa fijados de antemano en el brazo para el aspa con los 3 agujeros en el aspa. Empuje el brazo para el aspa hacia arriba firmemente para que pasen los tornillos del aspa por los agujeros en la aspa. *(Tenga cuidado de no aplicar tanta fuerza que se dobla el brazo para aspa.)* Haga esto para cada brazo para aspa.

Ponga el mecanismo de seguridad plástico en el lado opuesto del lado en que instaló el brazo para el aspa, poniendo el lado más pequeño hacia la extremidad del aspa con un agujero y tocando el tornillo para el aspa en el extremo del brazo para el aspa (como se muestra). Gire el mecanismo de seguridad plástico en el sentido contrario a las agujas del reloj para cerrar el mecanismo de seguridad plástico. Haga esto con cada aspa.



10. El quitar el juego de luz (opcional).

*Saltarse esta sección y pasar a la sección 11 en la página siguiente si NO desea quitar el juego de luz.

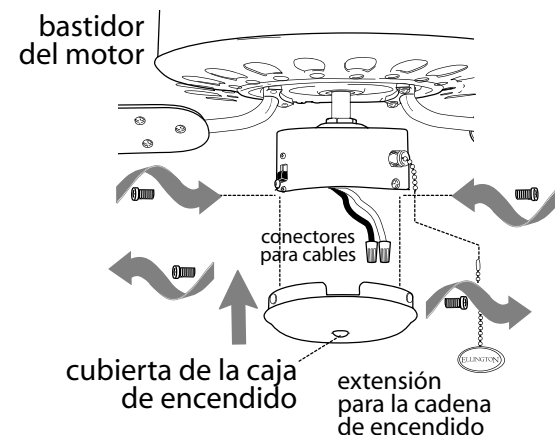
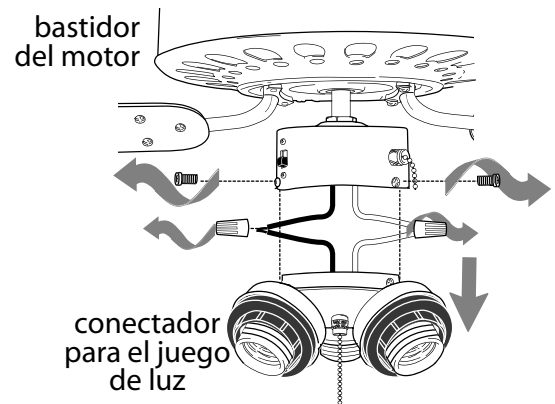
Si usted desea quitar el juego de luz del ventilador para utilizar el ventilador SIN el juego de luz, quitar los 3 tornillos de la caja de encendido. Jalar hacia abajo suavemente en el conector para el juego de luz.

Quitar el conector para cable que conecta el cable **AZUL** del ventilador al cable **NEGRO** del conector para el juego de luz. Colocar el conector para cable que se quitó en la punta del cable **AZUL** del ventilador. Quitar el conector para cable que conecta el cable **BLANCO** del ventilador al cable **BLANCO** del conector para el juego de luz. Colocar el conector para cable que se quitó en la punta del cable **BLANCO** del ventilador.

* Como una medida de seguridad adicional, envolver cada conector para cable por separado con cinta aisladora.

Quitar los 3 tornillos de la cubierta de la caja de encendido. Alinear los agujeros en la cubierta de encendido con los agujeros en la caja de encendido. Sujetar la cubierta de la caja de encendido con los 3 tornillos que apenas se quitaron. Sujetar la extensión para la cadena de encendido provista a la cadena de encendido del ventilador. También se puede usar una extensión para cadena de encendido hecha a medida (a la venta por separado).

Favor de pasar a la sección 12 ("Verificación del funcionamiento del ventilador") para terminar la instalación.



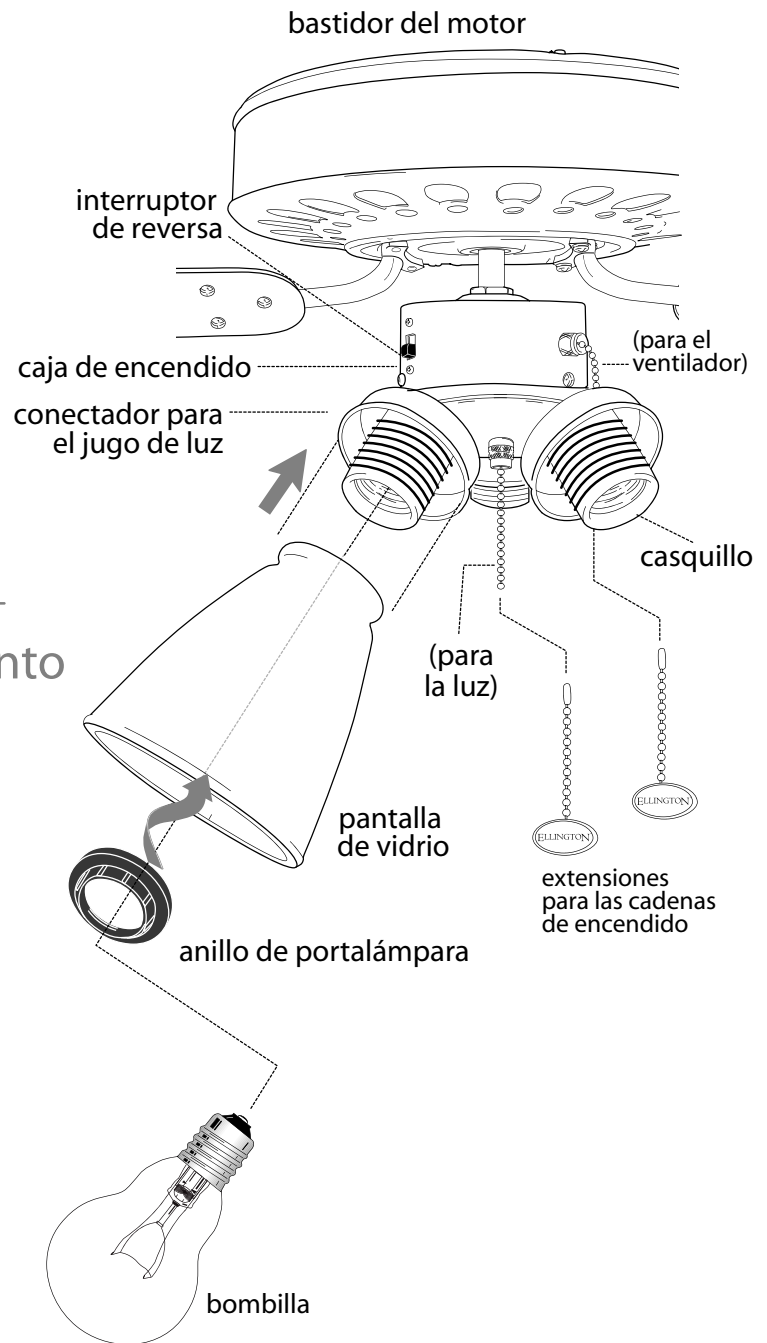
11. Instalación del juego de luz (opcional).

Quitar el anillo de portalámpara de cada portalámpara en el conector para el juego de luz. Usar 1 anillo de portalámpara para sujetar cada pantalla de vidrio. *No apretar los anillos de portalámpara demasiado ya que el vidrio se puede rajar o romper.*

Instalar 3 bombillas de base candelabro de 60 vatios máx. (incluidas).

Importante: Cuando necesite reemplazar las bombillas, favor de permitir que se enfríen la(s) bombilla(s) y la(s) pantalla(s) de vidrio antes de tocarlas.

Nota: Este ventilador tiene un aparato que sirve para limitar el vatiaje. Por lo tanto, el usar un juego de luz distinto al provisto puede resultar en que no funcione dicho juego de luz.



12. Verificación del funcionamiento del ventilador.

Se le recomienda poner el ventilador a prueba antes de terminar la instalación. Regresar la corriente de electricidad en el cortacircuitos y encender el interruptor de la luz en la pared (si se aplica). Verificar las velocidades del ventilador con la cadena de encendido en la caja de encendido. Empezar en estado de APAGADO (sin movimiento de las aspas). Con el primer tirón el ventilador estará en marcha ALTA. El segundo tirón controla el ventilador para que se baje a marcha MEDIA. El tercer tirón bajará el ventilador a marcha BAJA. Con el cuarto tirón se APAGARÁ el ventilador de nuevo. Poner a prueba las luces jalando la cadena de encendido de en medio. Si el ventilador y/o la luz no funciona(n), favor de referirse a la sección "Localización de fallas" para resolver cualquier asunto antes de comunicarse con el Servicio al Cliente.

Apagar el ventilador completamente *antes* de mover el interruptor de reversa. Regularlo para que se circule bien el aire dependiendo de las estaciones del año:

- posición ABAJO en verano (**diagrama 1**)
- posición ARRIBA en invierno (**diagrama 2**)

Un ventilador de techo le permitirá subir el termostato en verano y bajarlo en invierno sin notar una diferencia en su comodidad.

Importante: Hay que mover el interruptor de reversa o *completamente* hacia ARRIBA o *completamente* hacia ABAJO para que funcione el ventilador. Si el interruptor de reversa está puesto en la posición *de en medio* (**diagrama 3**), no funcionará el ventilador.

Fijar las extensiones para las cadenas de encendido provistas a las cadenas de encendido o usar unas hechas a medida (a la venta por separado).

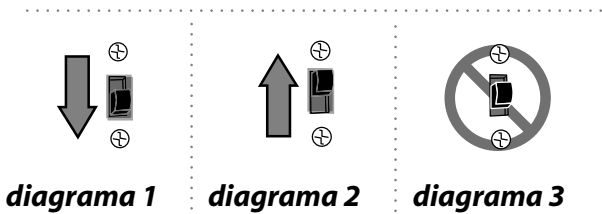


diagrama 1

diagrama 2

diagrama 3

Localización de fallas.

ADVERTENCIA: *El no desconectar el suministro de fuerza eléctrica antes de hacer localización de fallas para cualquier problema de instalación eléctrica puede causar lesiones graves.*

Problema: El ventilador no funciona.

Soluciones:

1. Inspeccionar el interruptor de pared del ventilador.
2. Verificar que el interruptor de reversa del ventilador esté en una sola posición, no en medio de las dos.
3. Verificar la instalación eléctrica del ventilador.

Problema: El juego de luz no se ilumina (opcional).

Soluciones:

1. Inspeccionar el interruptor de pared del ventilador.
2. Verificar que se instalaron correctamente las bombillas.
3. Verificar que se hizo correctamente la conexión de cables en la cubierta decorativa.
4. Reemplazar bombillas defectuosas con el mismo tipo de bombilla.
5. Verificar que las bombillas no suman más de 190W.
[Nota: El poner bombillas en el juego de luz que suman más de 190W ocasionará la interrupción de la corriente eléctrica que va al juego de luz debido al aparato que sirve para limitar el vatiaje.]

Problema: El ventilador funciona pero las luces no (si se aplica).

Soluciones:

1. Verificar que se instalaron correctamente las bombillas.
2. Verificar que se hizo correctamente la conexión de cables en la cubierta decorativa.
3. Reemplazar bombillas defectuosas con el mismo tipo de bombilla.
4. Asegurarse de que se conectaron bien los conectores para cable en la caja de encendido.
5. Verificar que las bombillas no suman más de 190W.
[Nota: El poner bombillas en el juego de luz que suman más de 190W ocasionará la interrupción de la corriente eléctrica que va al juego de luz debido al aparato que sirve para limitar el vatiaje.]

Problema: El ventilador se tambalea.

Soluciones:

1. Usar el juego para balancear las aspas incluido en uno de los paquetes de artículos de ferretería. *Si no se incluye un juego para balancear las aspas, llamar al Servicio al Cliente, 1-800-527-1292, para pedir uno.*
2. Averiguar que se apretó (apretaron) bien el (los) tornillo(s) de fijación en el cuello del bastidor del motor.
3. Averiguar que se apretó bien el tornillo de fijación

Garantía.

GARANTIA LIMITADA DE POR VIDA DE ELLINGTON:

ELLINGTON/LITEX INDUSTRIES, LTD. garantiza este ventilador al comprador original de grupo familiar para uso interior con las siguientes condiciones:

GARANTIA DE 1 AÑO: ELLINGTON/LITEX INDUSTRIES, LTD.

reemplazará o reparará cualquier ventilador que tenga funcionamiento deficiente debido a defectos en los materiales o trabajo manual. Comunicarse con el Servicio al Cliente de Litex al **1-800-527-1292** para acordar el reenvío del ventilador. Devolver el ventilador, con los gastos de envío propagados, a Litex Industries, Ltd. Nosotros repararemos o reemplazaremos el ventilador y pagaremos los gastos de envío de regreso.

GARANTIA DE 5 AÑOS: ELLINGTON/LITEX INDUSTRIES, LTD.

reemplazará o reparará sin costo al comprador original, cualquier motor de ventilador que no funcione de manera satisfactoria a causa de uso normal.

DEVOLVER EL MOTOR SOLAMENTE, los gastos de envío propagados, a Litex Industries. Nosotros repararemos el motor al comprador o le enviaremos uno de reemplazo y Litex pagará los gastos de envío de regreso.

GARANTIA LIMITADA DE 6 AÑOS hasta DE POR VIDA:

ELLINGTON/LITEX INDUSTRIES, LTD. reparará el ventilador, sin costo al comprador original por el coste laboral, si el motor del ventilador no funciona satisfactoriamente a causa del uso normal. Las piezas que se utilizan en hacer la reparación serán facturadas al comprador a los precios prevalecientes en el momento de la reparación.

El comprador original será responsable de todos los gastos incurridos en sacar, reinstalar y enviar el producto para reparación.

Esta garantía no se aplica cuando el ventilador tenga daños por abuso mecánico, físico, eléctrico o por agua resultando en su mal funcionamiento. Se exenta específicamente el deterioro en el acabado u otras partes debido al tiempo o exposición al aire marino bajo esta garantía.

Ni Litex Industries ni el fabricante se harán responsables por lo que pasa por una instalación inadecuada o el uso impropio de este producto. La compañía no se hará responsable en ningún caso de ningún daño emergente por incumplimiento de esta o cualquier otra garantía expresada o implicada en absoluto. Esta limitación de daños emergentes no se aplicará en estados donde es prohibido.

Piezas de repuesto.

Para piezas o información, referirse al "Inventario de piezas" en la página 2.

Servicio al Cliente de Ellington:

1-800-527-1292

www.ellingtonfans.com

ELLINGTON®

Elevating Style®