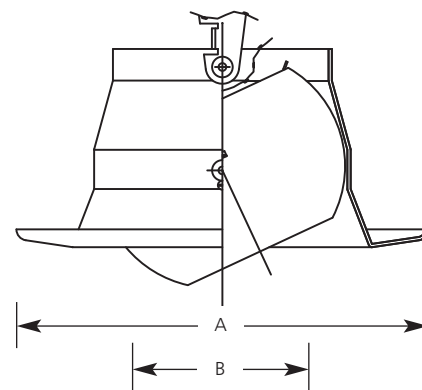
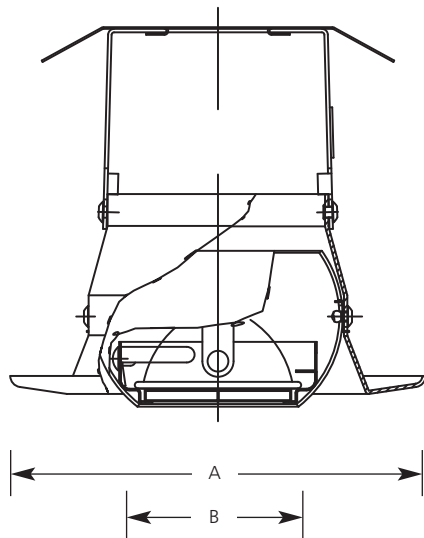


Type \_\_\_\_\_

-09 -20 -28 -36

P8057

Catalog No.	Finish				Dimensions (Inches)	
	Brushed Nickel	Antique Bronze	White	Chestnut	A	B
P8057	-09	-20	-28	-36	5-1/4	1-9/16



**Lamp Wattage**

Housing	IC	Non-IC
P817-AT	50MR16	50MR16
P816-TG	N/A	50MR16
P818-TG	N/A	50MR16

**Specifications:**

Flange

- White powder coated flange on white (-28)
- Brushed nickel (-09), antique bronze (-20), and chestnut (-36) have unpainted flanges that match the baffle finish
- Covers irregular ceiling openings

Trim

- Push-in leaf spring action forces trim to fit snugly against the ceiling
- Lamp tilt 30 degrees, 360 degree positioning
- Steel construction
- Eyeball finish matches trim finish

Options

- White (-28) or chestnut (-36) painted finishes
- Brushed nickel (-09) or antique bronze (-20) plated finishes

Labels

- UL-CUL damp location listed

Photometrics

- Refer to MR16 Lamp Application Data

Progress Lighting  
 Post Office Box 5704  
 Spartanburg, South Carolina  
 29304-5704

www.progresslighting.com

Figure 1  
Single fixture

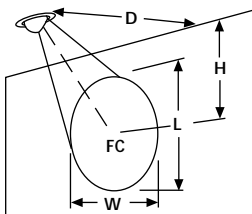
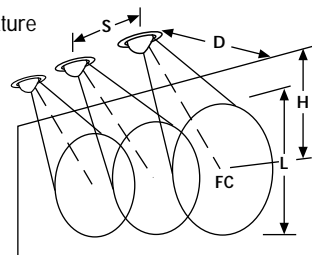


Figure 2  
Multiple fixture



MR16  
Flood Lamps



Walls and Vertical Objects															
H	F.C.	L	W	S	H	F.C.	L	W	S	H	F.C.	L	W	S	
D = 2 FT					D = 3 FT					D = 4 FT					
35MR16FL	4	22	15.7	3.3	2.8	5	15	13.0	4.2	3.6	7	8	19.8	5.9	5.0
CBCP - 1,000	5	13	*	3.9	3.4	6	10	23.5	4.9	4.2	8	6	*	6.5	5.6
Beam - 40 deg.	6	8	*	4.6	3.9	7	7	*	5.5	4.7	9	4	*	7.2	6.1
50MR16NFL	4	71	5.6	2.0	1.9	5	49	5.8	2.6	2.4	7	25	8.4	3.6	3.3
CBCP - 3,200	5	41	9.3	2.4	2.2	6	32	8.3	3.0	2.8	8	18	11.1	4.0	3.7
Beam - 25 deg.	6	25	16.0	2.8	2.6	7	22	11.7	3.4	3.2	9	13	14.3	4.4	4.1
50MR16FL	4	38	15.7	3.3	2.8	5	26	13.0	4.2	3.6	7	13	19.8	5.9	5.0
CBCP - 1,700	5	22	*	3.9	3.4	6	17	23.5	4.9	4.2	8	9	*	6.5	5.6
Beam - 40 deg.	6	13	*	4.6	3.9	7	12	*	5.5	4.7	9	7	*	7.2	6.1

MR16  
Spot Lamps



Walls and Vertical Objects															
H	F.C.	L	W	S	H	F.C.	L	W	S	H	F.C.	L	W	S	
D = 2 FT					D = 3 FT					D = 4 FT					
35MR16SP	4	87	4.0	1.6	1.5	5	59	4.4	2.1	2.3	7	30	6.3	2.8	2.7
CBCP - 3,900	5	50	6.3	1.9	1.8	6	38	6.1	2.4	2.6	8	22	8.1	3.2	3.0
Beam - 20 deg.	6	31	9.8	2.2	2.1	7	26	8.2	2.7	2.7	9	16	10.1	3.5	3.3
Walls and Vertical Objects															
H	F.C.	L	W	S	H	F.C.	L	W	S	H	F.C.	L	W	S	
D = 3 FT					D = 4 FT					D = 5 FT					
50MR16NSP	5	138	3.1	1.5	1.5	7	70	4.5	2.1	2.1	9	41	5.9	2.7	2.6
CBCP - 9,100	6	90	4.3	1.8	1.7	8	51	5.7	2.4	2.3	10	32	7.1	3.0	2.9
Beams - 15 deg.	7	62	5.6	2.0	2.0	9	38	7.0	2.6	2.5	11	26	8.4	3.2	3.1

Walls and Vertical Objects

H	Height from ceiling to center of beam
D	Distance from fixture to wall
F.C.	Footcandles at center of beam
L	Length of effective lighted area
W	Width of effective lighted area
S	Spacing of multiple fixtures to effectively light wall
*	Length of lighted area is in excess of 30 feet

Data assumes a maximum tilt of 30 degrees.

For horizontal surface data refer to Lamp Application Data sheets.

CBCP - Center Beam Candlepower